

hds

TM



HSD SUPPLEMENTAL INSTRUCTIONS

Original Instructions

EN

INSTRUCCIONES SUPLEMENTARIAS DE HSD

Traducción de las Instrucciones Originales

ES

HSD INSTRUCTIONS SUPPLÉMENTAIRES

Traduction des Instructions Originales

FR

MANUALE SUPPLEMENTARE PER BICICLETTA HSD

Traduzione delle Istruzioni Originali

IT

ZUSÄTZLICHE BEDIENUNGSANLEITUNG ZUM HSD

Übersetzung der Original-Bedienungsanleitung

DE

Contents

1. General Information	3	Tire Clearance	16
Meaning of Icons	4	Wheel Removal.....	17
Intended Use	4	8. Suspension Seatpost	18
2. Weight and Loading	5	Selecting Elastomers.....	18
HSD Limits	5	9. Trailer Mounting	19
Kickstand Weight Limit	6	10. Belt Drive System	20
HSD Attachment Limits.....	6	Visual Inspection.....	20
Recommendations for Safe and Happy Riding .	7	Checking Belt Tension.....	21
Passenger Considerations	8	Belt Tension Adjustment Procedure.....	22
Getting Off and On the Bike	8	11. Enviolo AUTOMATiQ	23
3. Flat Fold	9	Shifting	23
4. Vertical Parking	12	Enviolo App.....	24
5. Child Seat Mounting	14	Cleaning.....	24
6. Frame and Battery Lock	15	Lubrication	24
7. Suspension Fork	16	Storage.....	24
Preload Adjuster	16	12. HSD Accessories	25
Speed Lock Adjuster	16		

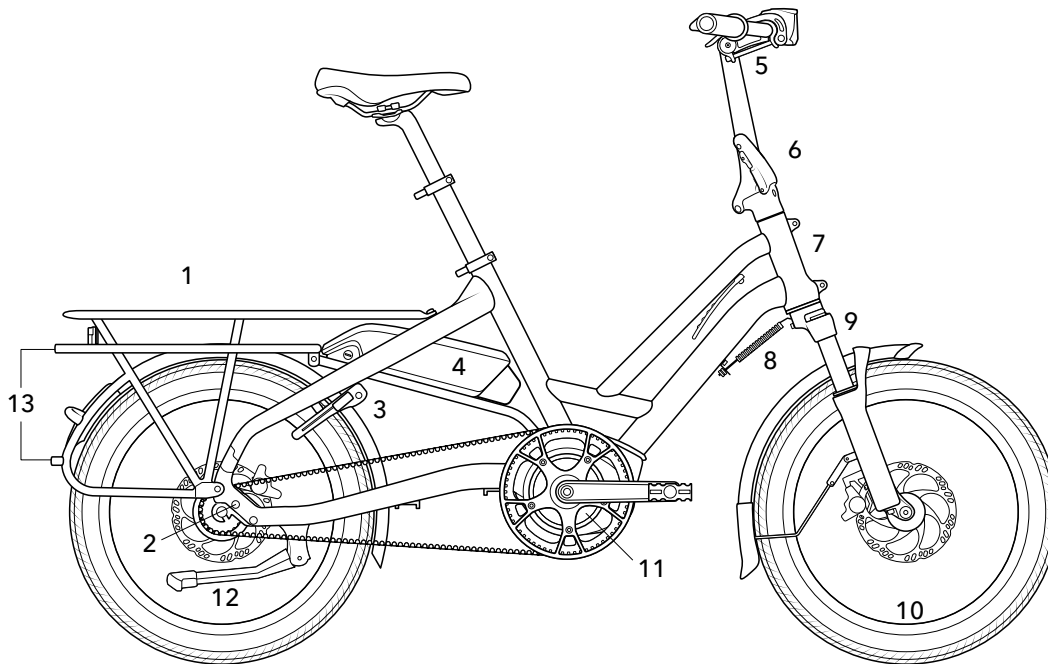
EN

1. General Information

Congratulations on your purchase of the Tern HSD, a mighty but mini ebike that is easy to handle, easy to share and carries a whole lot of cargo. For most riders, the HSD is just the right amount of bike for them.

Nomenclature of Parts

1. Atlas H Rack
2. Atlas H Dropouts
3. Frame Lock
4. Battery
5. Andros Stem
6. Physis Handlepost
7. Combo Mount
8. Wheel Stabilizer
9. Fork
10. Atlas Wheels
11. Motor Drive
12. Kickstand
13. Vertical Parking Contact Points



Meaning of Icons



Indicates how to use the product or items that require special attention.



Possible non-lethal injuries, if instructions are not followed.



Incorrect action could result in damage to the equipment.



You must have the proper tool, such as a torque wrench for items that require a specific torque. A torque that is too high or too low can cause parts to fall off or break and can lead to serious accidents and injuries.



Life-threatening danger if instructions are not followed or preventive measures are not taken.

EN

Intended Use

The HSD is designed for up to two people riding with both wheels in contact with paved roads or graded and maintained gravel roads. It is not intended for racing, jumps, hops, wheelies, stunts or anything of the kind.

 Failure to follow the intended use described above may result in serious injuries.

The manufacturer and dealer are not liable for any direct or consequential damages resulting from misuse.

The warranty will be void if your HSD is not used in accordance with the intended usage. Please refer to the HSD warranty card included in the box for specifics.

2. Weight and Loading

The Tern HSD is designed to carry cargo. In addition to meeting EN 15194 standards for ebikes, the HSD has undergone additional testing to ensure that it is capable of carrying up to 60 kg (132 lb). Rear cargo can be one child in an approved child seat or panniers and baskets or a combination of both. However, restrictions do apply and there are considerations for loading the HSD in a way that maximizes comfort and stability for the rider.

⚠ Total laden weight, excluding rider, at all attachment points should not exceed 60 kg.

HSD Limits:

- Maximum rider weight shall not exceed 120 kg (265 lb) when using non suspension seatpost. If your HSD is equipped with suspension seatpost, refer to the limits given by its manufacturer.
- Maximum load limit for the HSD is 170 kg (375 lb) which includes rider, passenger(s), accessories, and any additional cargo.
- Maximum weight on each tire should not exceed 95 kg (209 lb) when inflated to the maximum allowable pressure of 65 psi (4.5 bar). Overloading and/or under-inflating a tire causes premature wear. Approximately 65% of the total weight should be on the rear wheel.
- Maximum weight for a rear passenger is limited to 60 kg (132 lb).

⚠ HSD is NOT designed to carry adult passengers. Observe above limits and do not overload.

Rider Weight (kg)	50	60	70	80	90	100	110	120
Max Cargo (kg)*	60**	60**	60**	60	50	40	30	20
Rider Weight (lb)	110	132	154	176	198	220	243	265
Max Cargo (lb)*	132**	132**	132**	132	109	87	65	43

- ⓘ Numbers based on average vehicle weight of 30 kg, including panniers/racks.
- ⓘ * Make sure to follow the limits and recommendations in the Weight and Loading section. Total weight is limited by maximum allowed weight on each tire and a 60% weight distribution on the rear wheel
- ⓘ **Exceeds 80% of rider weight recommendation as described on page 7. Only carry what you can comfortably handle.

Kickstand Weight Limit

Unless otherwise stated, the rear-mounted kickstand has a load capacity of 25 kg (55 lb). With the kickstand lowered, the full weight of the HSD is shared among the wheels and kickstand. Follow these rules:

- The kickstand is designed for light cargo only.
- The kickstand is not designed to support a fully loaded HSD.
- If you are carrying a passenger, hold and help steady the HSD to reduce kickstand load while loading and unloading.

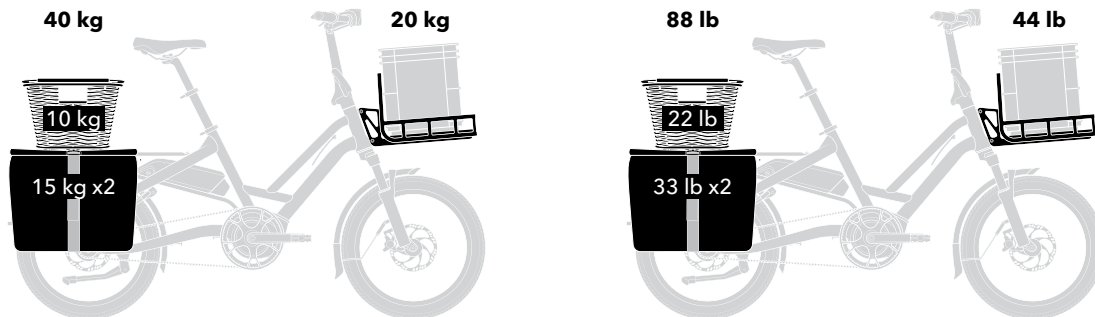
 **NEVER allow children to climb onto the HSD by themselves even if the kickstand is lowered unless an adult is steadying the bike.**

HSD Attachment Limits

- Maximum weight on the Combo Mount (Head Tube) is 20 kg (44 lb).
- Maximum weight on a pair of foot support, if installed, is 25 kg (55 lb) on each side.
- Maximum weight on the top of the Rear Rack is 50 kg (110 lb).
- Maximum weight on the side of the Rear Rack is 20 kg (44 lb). Keep the weight balanced between left and right sides for optimal stability.
- Individual accessory load limit may be lower than mounting location limit. Please refer to the instruction manual included with the accessory for maximum load limits.

 **The above load limits pertain to individual mounting area. Total cargo load should remain less than 60 kg (132 lb).**

Example Showing Proper Loading of the HSD



Recommendations for Safe and Happy Riding

- **Check your local regulations:** Some countries do not allow the carrying of passengers on the back of a bicycle. Others may require specific accessories to do so legally.
- **Check the well-being of your passenger:** These are recommended guidelines for usage. As always, you must determine if your passenger is strong and alert enough to be transported as a passenger on this bicycle.
- **Handling:** Most riders can comfortably carry 80% of their weight. You should determine if you are comfortable carrying that much weight.
- **Practice, practice, practice:** Rider size and strength will affect how easily a loaded bicycle can be handled. Always practice in an open, car-free area before carrying a passenger.
- **Road type:** The HSD should only be used on paved roads or graded and maintained gravel roads.
- **Cargo:** Place as low as possible and strapped firmly to the HSD. Items not securely fastened may compromise the handling and endanger yourself and others on the road.
- **Pay attention:** NEVER ride with hands off the handlebar. NEVER operate a handheld device such as a mobile phone when in motion.

Passenger Considerations

To safely carry a rear passenger, please make sure the HSD is equipped with the proper equipment that are installed and fastened securely:

- **Proper location:** The only location for carrying a passenger should be the rear rack. No other location is allowed.
- **Proper seating:** For children ages 6 and below, always use an approved child seat. The Thule Yepp Maxi and Nexxt child seat has been tested and approved for use with the Tern HSD. For older children and adults less than 60 kg* (132 lb), install a seat cushion to protect against bumps.
- **A pair of foot supports:** The rear passenger's feet need to lie flat on foot support during the ride. Foot support are strictly for passenger use when SEATED. Standing on them is unsafe and may permanently damage the frame.
- **Handholds:** Ensure the rear passenger has something to hold during the ride. Whenever the HSD is in motion, the passenger who is not in a child seat must keep a grip on something stationary such as the Sidekick™ Bars.
- **Foot and leg protection:** Install wheel guards or Cargo Hold 37 Panniers folded flat on both sides of the bike.
- **Wear a helmet:** All passengers should wear approved helmets.
- **Check for dangling straps and loose-fitting clothing on passengers:** Ensure skirts, pants, shoelaces, etc. are tucked away or tied down to avoid being caught when the bike is in motion.

EN

⚠ While HSD frame and rack are strong, they are not intended to carry a passenger in excess of 60 kg (132 lb).

Getting Off and On the Bike

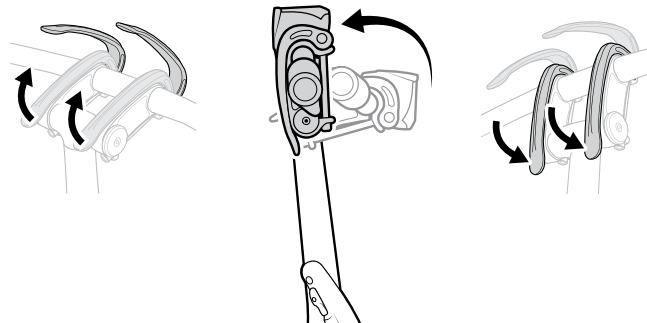
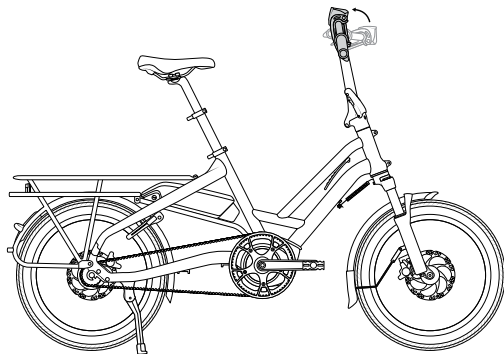
- When a child or adult passenger is getting onto the rear rack, ALWAYS hold the bike: NEVER allow children to climb onto the HSD by themselves unless an adult is steadying the bike.
- Use the kickstand when buckling in children: Because the kickstand will keep the bike stable, you can use two hands to securely buckle children into a child seat.

Do not leave children unattended on the back of the HSD: NEVER, ever, ever leave children unattended on the back of the HSD, even if it is on the kickstand. Wriggling children can upset the balance of the bike and a fall may result in serious injuries.

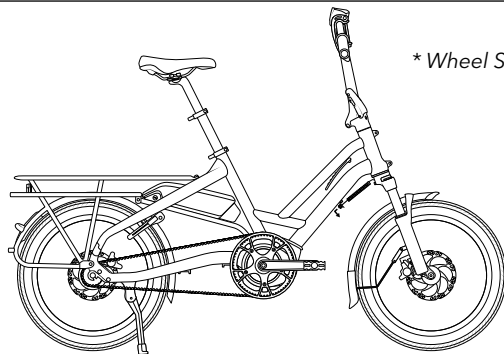
3. Flat Fold

The Tern HSD can be flat-folded to reduce its size. To do so, follow the steps below:

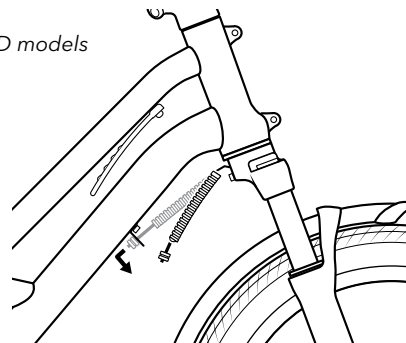
1



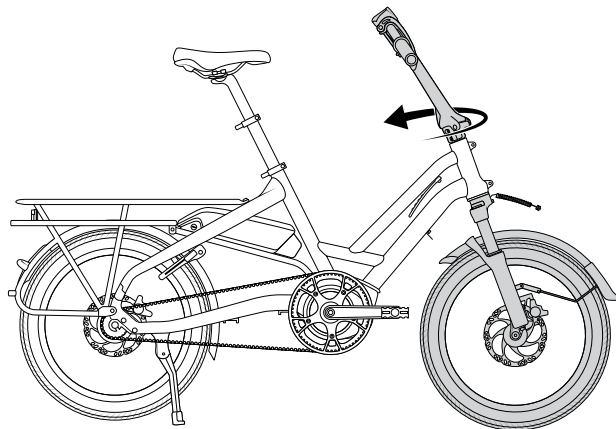
2*



* Wheel Stabilizer is not on all HSD models

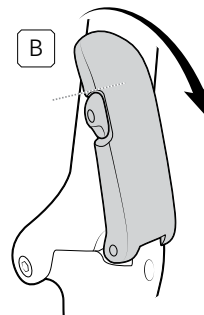
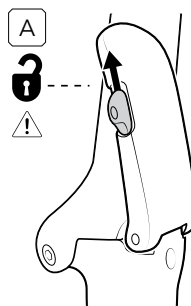
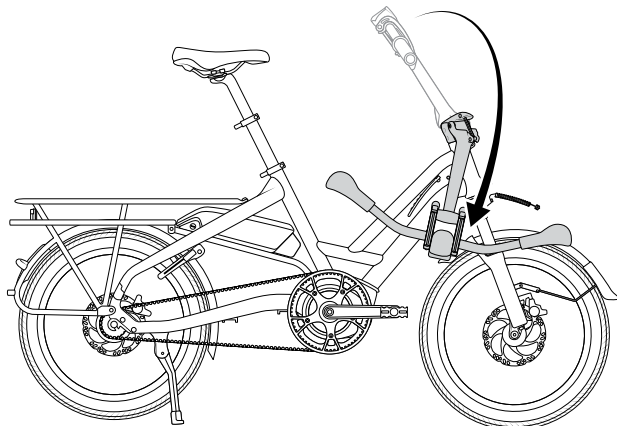


3

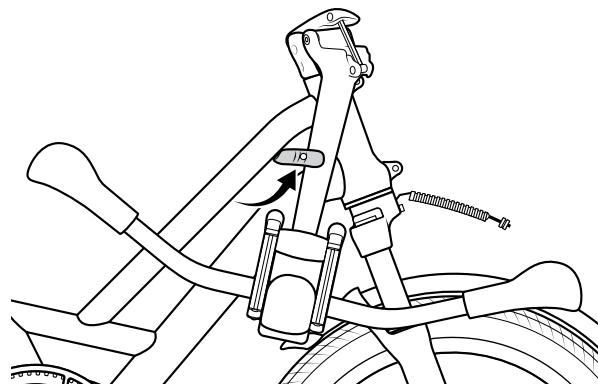
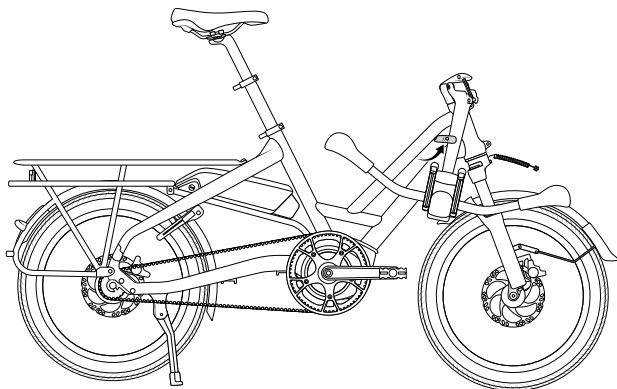


EN

4

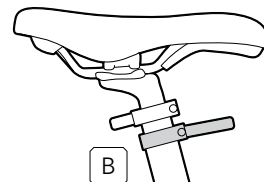
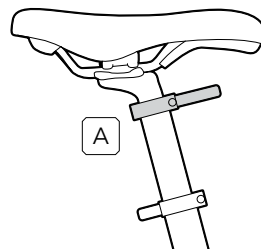
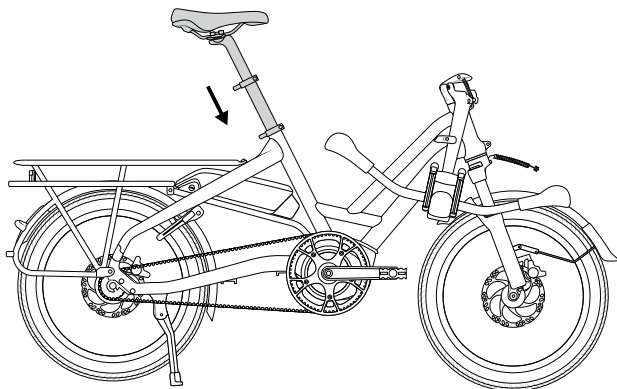


5



EN

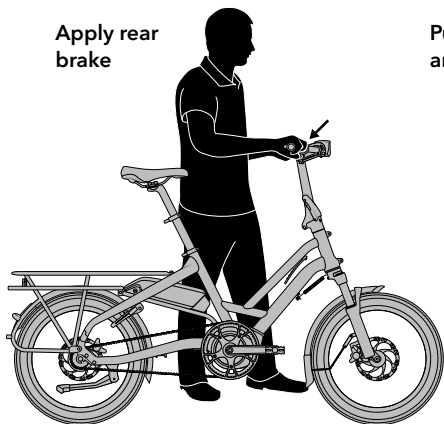
6



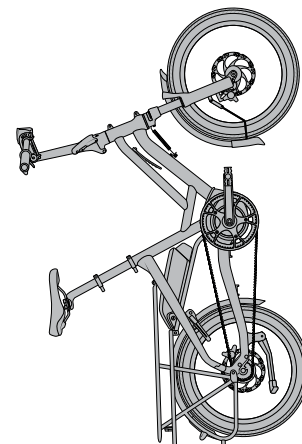
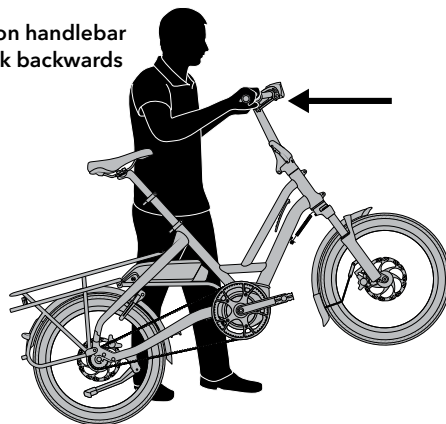
4. Vertical Parking

The Tern HSD is designed to stand on four contact points on the rear rack. In this configuration, the bike takes up a small footprint, which is very useful in tight spaces, such as in an elevator or in a storage area.


Apply rear
brake

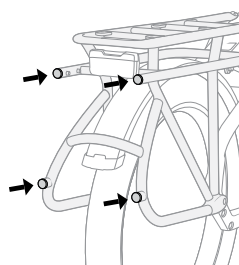



Pull up on handlebar
and walk backwards




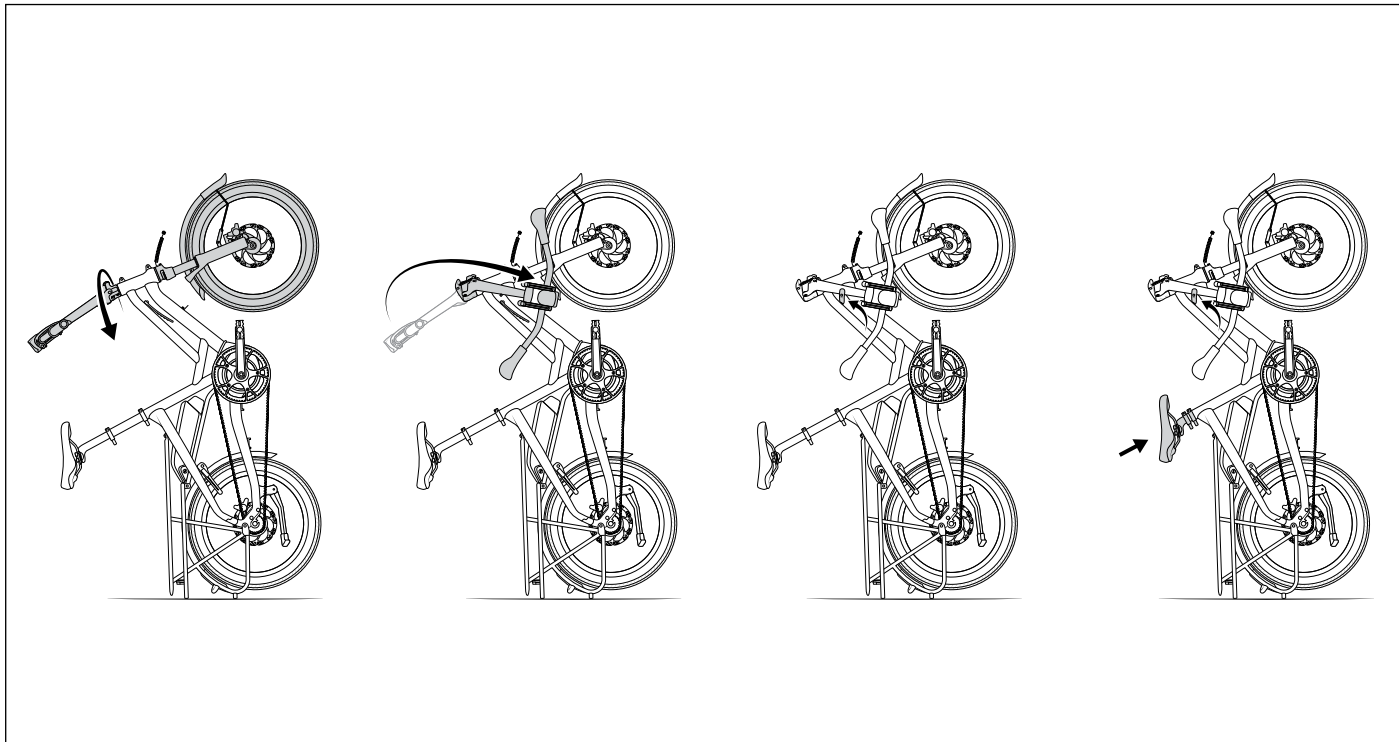
EN

 Make sure all four contact points touch the ground



 In public areas, hold the bike to prevent it from accidentally falling over.

 If the vertical parked bike is to be left unattended, always strap the bike to a fixed object to prevent falling.



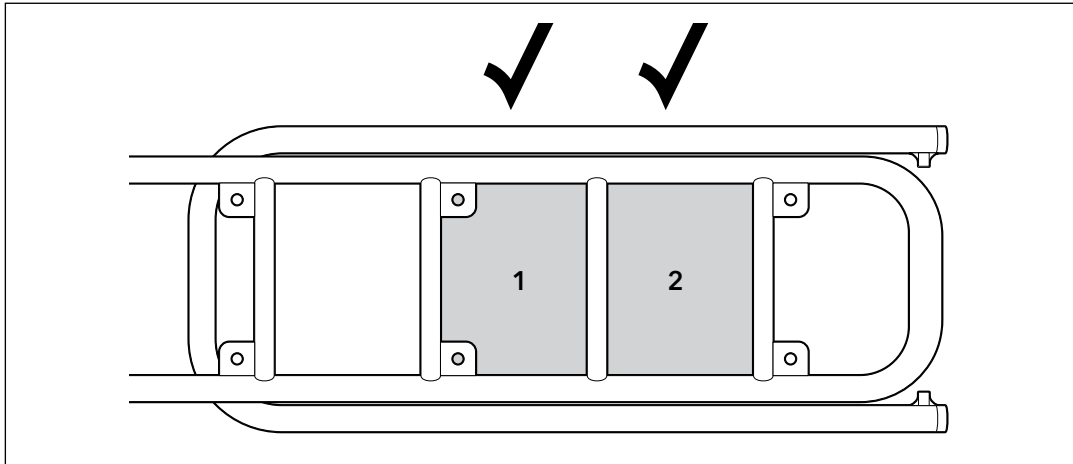
EN

5. Child Seat Mounting



The HSD Rack is designed to mount a single approved child seat, such as the Thule Yepp Maxi or the Thule Yepp Nextt Maxi.

As a general rule, place the child seat as forward as possible. Ensure the rider's heel does not strike the child seat while pedaling.

The preferred placement for the Yepp Maxi child seat is Windows 1 on the Rack. If heel strike occurs, use Window 2. The Nextt Maxi child seat can be mounted along the length of Windows 1 and 2 in as forward position as possible.



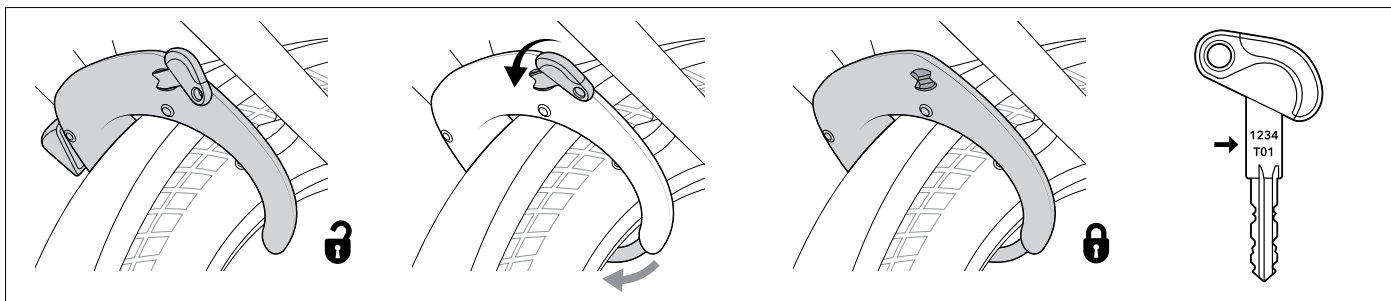
EN

-  Follow the installation instructions from the child seat manufacturer.
-  Do not accelerate hard, especially when going up steep hills to avoid front wheel lifting off ground

6. Frame and Battery Lock

This section applies to you if your model is equipped with a frame lock.

- ⚠ While frame locks can protect against unauthorized use of the bicycle, the use of a second lock is highly recommended.
- ⚠ Key cannot be removed from the frame lock while it's unlocked.



The frame and battery locks are keyed alike, meaning the same key works for both locks. The key code is written on a card that was originally supplied with the lock and on the key itself.

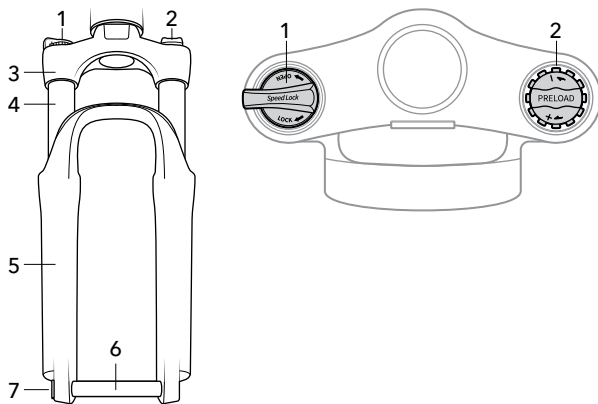
Please record the key number and/or store the key code card in a secure location in case you need to order a replacement from the lock manufacturer. You will not be able to recover your locks if this information is missing. Certain lock manufacturers allow registration of your locks online to provide better replacement service.

In case you are unable to retrieve your key and key code, you may take your HSD to the local Bosch dealer to retrieve the key code from the Bosch controller. Note this information may not always be possible/available.

7. Suspension Fork

Nomenclature of Parts

- | | |
|------------------------|------------------|
| 1. Speed Lock Adjuster | 5. Slider |
| 2. Preload Adjuster | 6. Thru Axle |
| 3. Crown | 7. Thru Axle Cap |
| 4. Stanchion | |



If your HSD is equipped with Suspension Fork, there are two adjustments available.

Preload Adjuster

- The suspension can be tuned to the rider's weight and preferred riding style through the Preload Adjuster (2).
- This dial sets the preload compression of the spring to the rider's weight on the fork.
- Turn the Preload Adjuster knob (2) clockwise to increase the spring preload and turn it counter-clockwise to reduce it.

Speed Lock Adjuster

- Turn the Speed Lock Adjuster knob (1) toward the LOCK direction to disable suspension.
- You may desire this adjustment when riding on paved/smooth surfaces or to improve pedal efficiency during uphill riding.
- Turn the Speed Lock Adjuster knob (1) to the OPEN direction to enable suspension.

Tire Clearance

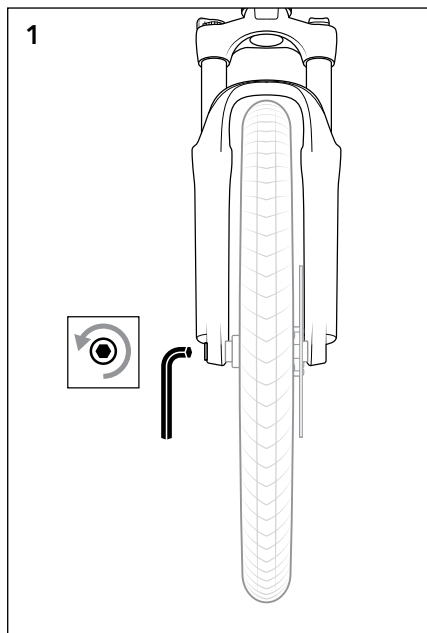
Your tire should not touch the fork under any circumstances.

⚠ Do not change your tires to a smaller or larger size. Inadequate tire clearance will result in sudden and unexpected loss of bicycle control, personal injury or death.

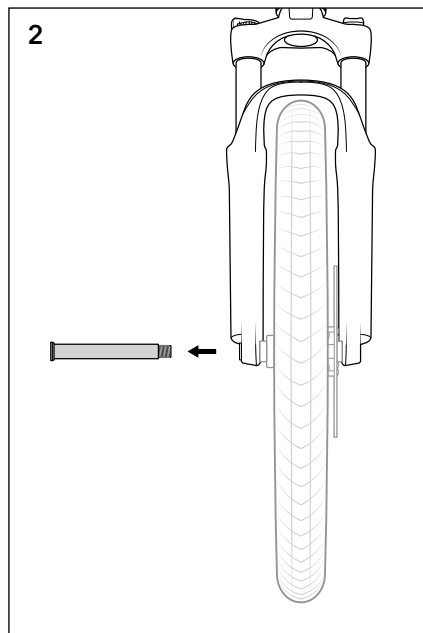
Wheel Removal

The Tern HSD uses a thru-axle for the front wheel. Unscrew and pull out the thru-axle to release your wheel.

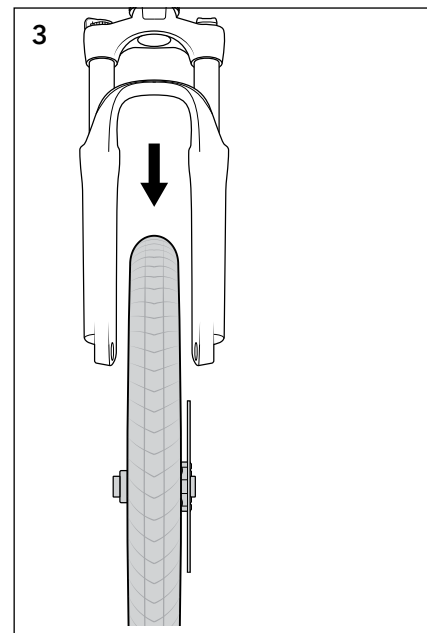
 Tool required: M5 Allen Key




1 Loosen Thru Axle cap (7) on the drive side with a 5 mm Allen wrench.



2 Remove nut and pull out axle.



3 Remove wheel.

 Do not press brake lever when the wheel is removed.

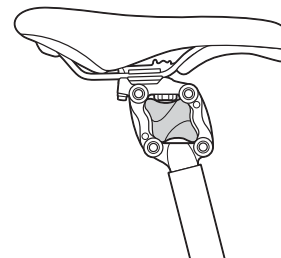
8. Suspension Seatpost

This section is for models equipped with the Thudbuster ST Suspension Seatpost. The Thudbuster uses elastomers as a suspension element within a parallelogram housing where the distance from the seat to pedal never changes.

Selecting Elastomers

The elastomer is made from natural rubber for its favorable damping characteristics and completely silent operation. To identify the stiffness of elastomer, locate the number on the small dial that is molded into one side. 1 is extra-soft, 9 is extra firm and 5 is medium. Cane Creek offers various elastomers for replacement. The Thudbuster must be set-up with appropriate elastomer before riding.

Rider Weight		Minimum Elastomer Recommendation
(Kilograms)	(Pounds)	
Under 45	Under 100	Extra Soft - #1
45-64	100-140	Soft - #3
64-86	140-190	Medium - #5
86-114	190-250	Hard - #7
Over 114	Over 250	Exceeds post limit





⚠️ Maximum allowable rider weight is 114 kg (250 lb). Never use a softer elastomer than recommended for your weight.

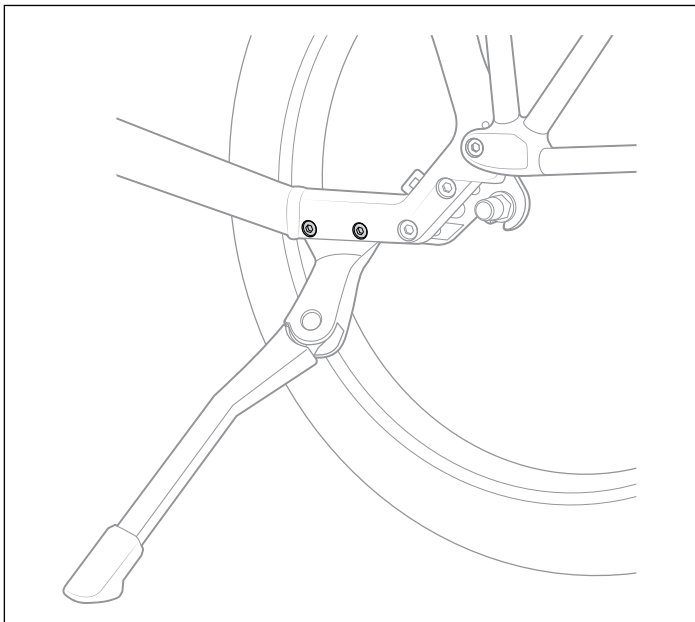
⚠️ Periodically check elastomer for excessive wear and replace if necessary.

For details about changing elastomer, maintenance and precautions, refer to the Thudbuster instructions included with your HSD.

9. Trailer Mounting

The kickstand mount on the chainstay has a 40 mm screw spacing and is compatible with aftermarket trailer kits, such as the Weber EH coupling.

-  Follow instructions given in all owner's manuals provided with trailer kit.
-  Observe all load and speed limits provided by the trailer kit manufacturer.



10. Belt Drive System

This section is for models equipped with the Gates Carbon Drive belt drive system.

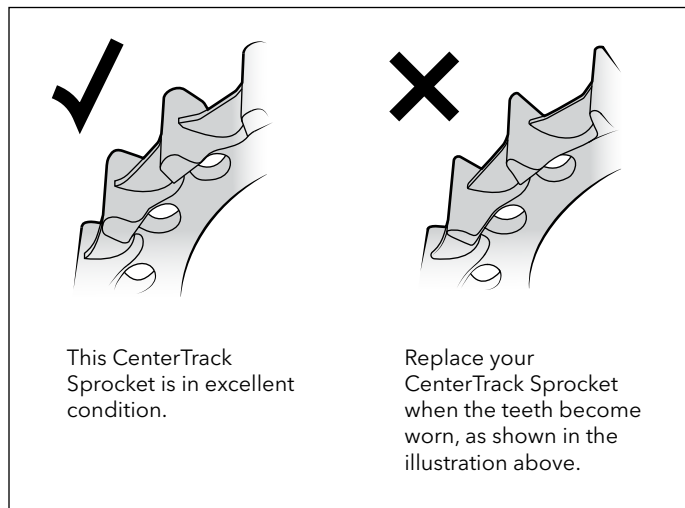
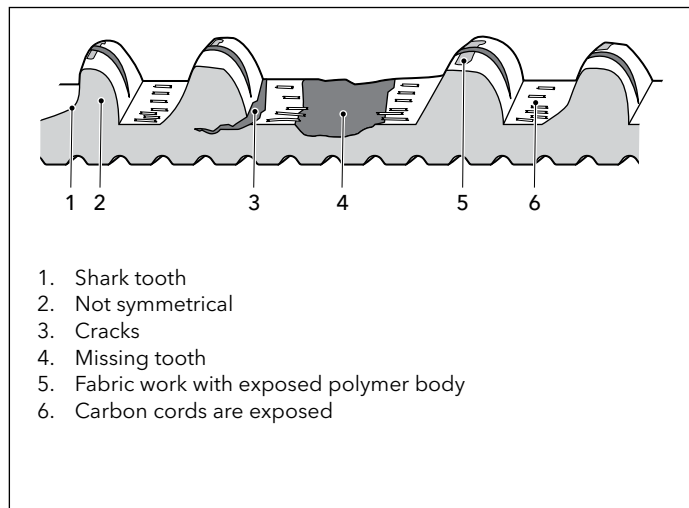
Your HSD comes with Sliding Dropouts that offers 20 mm of adjustment. Once adjusted properly, it's possible to remove and slot back the rear wheel at the perfect tension.

The Positive Tension Screw prevents the Sliding Dropout from moving forward unintentionally.

Visual Inspection

Periodically inspect the belt and sprocket for wear and tear. Take it to your dealer for a replacement if parts are worn as shown below.

Illustration source: Gates tech docs

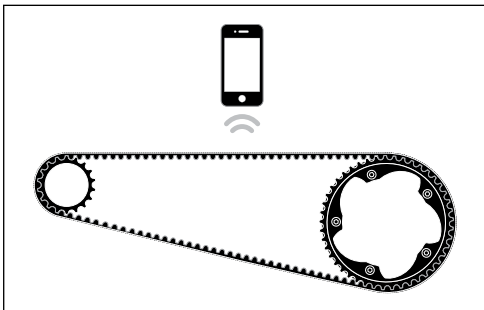


Checking Belt Tension

Proper belt tension is essential for optimum operation. Lack of belt tension can lead to tooth jump or “skipping” which is when the teeth of the belt slide over the teeth of the rear sprocket. Too much tension can damage the bearings within the rear hub, can cause the system to drag, and can prematurely wear out your drive system.

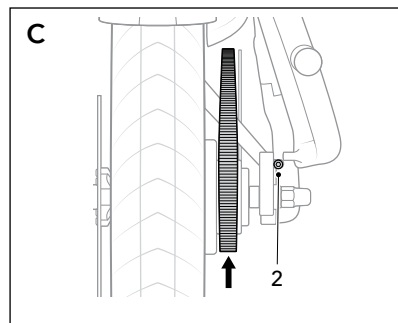
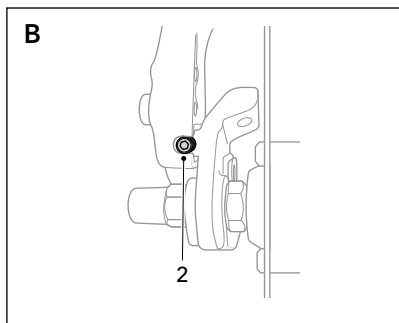
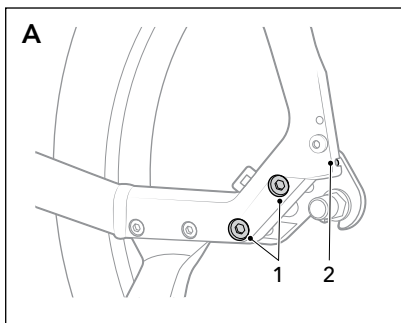
Unless you have special tension measurement tool, the best option is to use the Gates Carbon Drive Mobile App, available for Android and iPhone. The app measures belt tension from the natural frequency (Hz) of the belt by converting the vibrational sound into the primary frequency of the belt.

- From the Carbon Drive App, click the Frequency Tab and then click Measure icon. 




- Hold the phone next to the belt.
- Pluck the belt so that it vibrates similar to a guitar string. Rotate the crank quarter turn and repeat the frequency measurement. Complete one full revolution of the belt.
- Take an average of these readings. Around 15 Hz variation per reading is considered acceptable.
- For your HSD, the average measurement should be 35-50 Hz.

Belt Tension Adjustment Procedure



EN

 Tools required: M3 and M6 Allen Key

Steps:


A. Loosen but do not remove (1) Dropout Bolts.


B. Tension Adjustment

- To increase tension, turn Tensioning Screws (2) clockwise to lengthen chainstay distance. Make the same amount of adjustment to each Tensioning Screw (2) so that dropouts maintain alignment.
- To decrease tension, turn Tensioning Screws (2) counterclockwise to reduce chainstay distance. Make the same amount of adjustment to each Tensioning Screw (2) so that dropouts maintain alignment. Push the rear wheel forward until Tensioning Screws butt against the frame.

C. Check that belt is aligned and wheel is centered in the frame.

D. Tighten Dropout Bolts (1) to a torque of 25 Nm.

 If you are not mechanically inclined, please have your dealer adjust the tension.

 For additional care, troubleshooting and precautions, please consult the Gates Owner's Manual.

11. Enviolo AUTOMATI*Q*

For models equipped with the Enviolo AUTOMATI*Q*, the controls are integrated into the Bosch Intuvia control unit. This eliminates the need for an additional shifter on the handlebars.

Shifting

Automatic Shifting

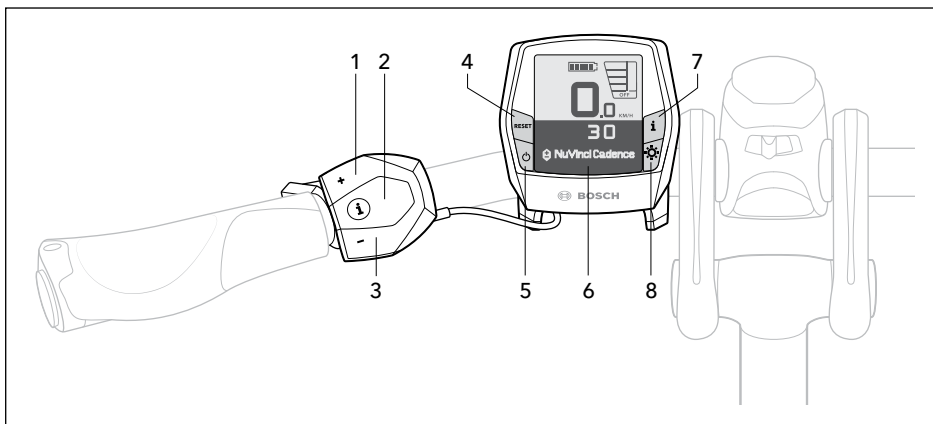
Press information button (2) or (7) until the Display (6) shows "NuVinci Cadence". Press + (1) or - (3) to set your preferred cadence. The transmission is automatically controlled so that you can always pedal at the same pace no matter what the terrain is.

Manual Shifting

Hold down the information button (2) or (7) until the Display (6) shows "NuVinci Gear". Press + (1) or - (3) to set your preferred gear.

Motor Assistance Level

Press information button (2) or (7) until the Display (6) is NOT showing "NuVinci Cadence" or "NuVinci Gear". Press + (1) or - (3) to set your preferred assistance level.



Enviolo App

- Configuring and updating the firmware can be done using Enviolo app via Bluetooth connection. Please visit the iPhone or Android App Store to download the app for your phone.
- Upon successful Bluetooth pairing, you will be prompted to upgrade if updated firmware version exists.
- Follow the on-screen instructions to upgrade firmware.

Cleaning

- Your Enviolo components are sealed and well protected from the external environment. However, do not use water under pressure (such as pressure washers or water jets) for cleaning to prevent malfunctions due to water penetration.
- During the winter season, you should frequently clean your bicycle, so that winter road salt cannot cause any damage.
- Do not use aggressive cleaners.

Lubrication

- The Enviolo internal gear hubs are provided with permanent lubrication and the internal gear hub is maintenance-free for the life of the product.
- The internal freewheel mechanism is serviceable.

Storage

- Do not store your Enviolo components at ambient temperatures below -20°C or above 48°C.

12. HSD Accessories

A full range of accessories is available for the HSD.
Please visit ternbicycles.com/hsd to learn about the latest HSD accessories.



Contenido

1. Información General	27	Espacio de la Cubierta	40
Significado de los iconos.....	28	Desmontado de Ruedas	41
Uso a que se destina	28	8. Tija de Suspensión	42
2. Peso y Carga	29	Selección de Elastómeros	42
Límites de la HSD.....	29	9. Acoplamiento de Remolque	43
Límite de Peso Para el pie de Bicicleta	30	10. Sistema de Transmisión por Correa	44
Límites de enganche de la HSD	30	Inspección Visual	44
Recomendaciones para un		Comprobar Tensión de la Correa	45
uso seguro y agradable	31	Procedimiento de Ajuste	
Consideraciones acerca de los pasajeros	32	de Tensión de Correa	46
Subiendo y bajando de la bici	32	11. Enviolo AUTOMATiQ	47
3. Plegado Plano	33	Selección de Marcha	47
4. Posición Vertical	36	Enviolo App	48
5. Montaje de Asiento Infantil	38	Limpieza.....	48
6. Cerradura de Cuadro y Batería	39	Engrase	48
7. Horquilla de Suspensión	40	Almacenamiento.....	48
Ajuste de Precarga	40	12. Accesorios para la HSD	49
Ajuste de Velocidad Bloqueo	40		

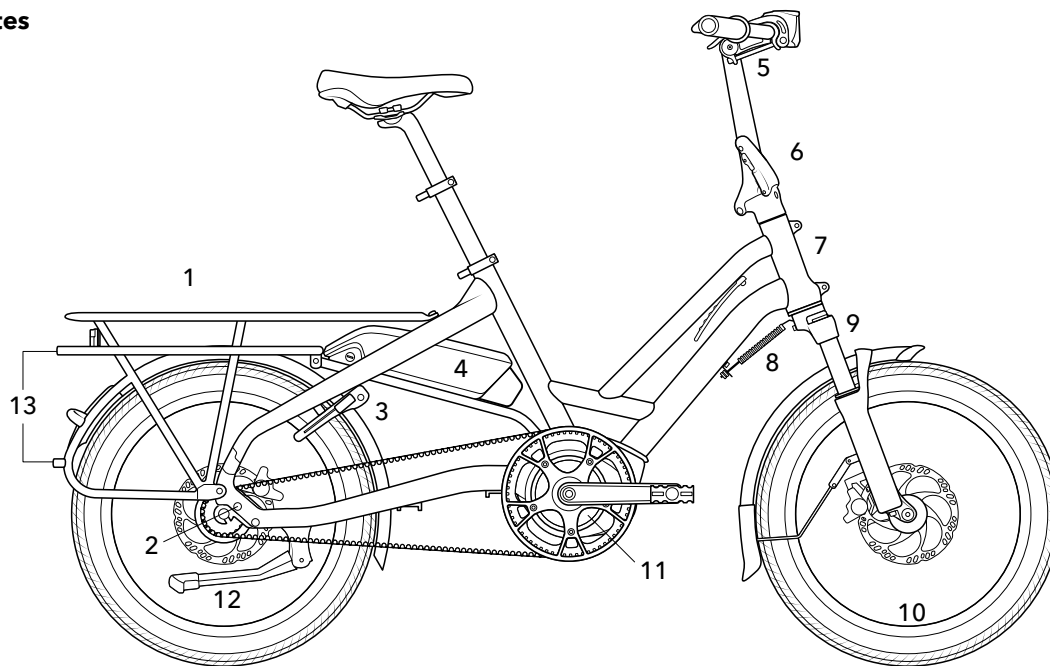
ES

1. Información General

Felicidades por su compra de la Tern HSD, una poderosa pero mini bicicleta eléctrica fácil de manejar, fácil de compartir y que transporta una gran cantidad de carga. Para la mayoría de los ciclistas, la HSD es la medida justa de bicicleta.

Nomenclatura de las Partes

1. Portabultos Atlas H
2. Punteras Atlas H
3. Cierre de cuadro
4. Batería
5. Potencia Andros
6. Mástil Physis
7. Anclaje Combo
8. Estabilizador de rueda
9. Horquilla
10. Ruedas Atlas
11. Unidad de motor
12. Caballete
13. Puntos de contacto en posición vertical



Significado de los iconos



Indica cómo usar el producto o ítems que requieren especial atención.



Si no se siguen las instrucciones indicadas pueden producirse daños no letales.



Acciones incorrectas pueden derivar en daños para el equipamiento.



Debería contar con herramienta adecuada, como llave dinamométrica para piezas que requieran un par de apriete específico. Un apriete defectuoso o excesivo puede provocar fallos o roturas que a su vez pueden derivar en caídas o accidentes graves.



Si no se tienen en consideración las instrucciones o no se tomen medidas preventivas se puede poner en riesgo la integridad física.

Uso previsto

ES

La HSD está diseñada para llevar hasta dos personas con ambas ruedas en contacto con carreteras pavimentadas o caminos de grava prensada bien mantenidos. No está diseñada para carreras, saltos, caballitos, acrobacias ni nada por el estilo.

 El incumplimiento del uso previsto puede derivar en lesiones graves.

El fabricante y el distribuidor no son responsables de ningún daño directo o indirecto que resulte del mal uso.

La garantía será nula si su HSD no se usa de acuerdo con el uso previsto. Consulte los detalles en la tarjeta de garantía incluida en la caja.

2. Peso y Carga

La Tern HSD está diseñada para transportar cargas. Además de cumplir con las normas EN 15194 para bicicletas eléctricas, la HSD se ha sometido a pruebas adicionales para garantizar la capacidad de transportar hasta 60 kg de carga. La carga trasera puede ser un niño en un asiento infantil homologado o alforjas, cestas o una combinación de ambas. Sin embargo, se aplican restricciones y hay consideraciones para cargar la HSD de una manera que maximice la comodidad y la estabilidad de conducción.

⚠ El peso total de carga, excluyendo al conductor, en todos los puntos de fijación no debe exceder los 60 kg.

Límites de la HSD:

- El peso máximo del ciclista no debe exceder los 120 kg cuando se utiliza la tija de sillín sin suspensión. Si su HSD está equipada con una tija de sillín con suspensión consulte los límites establecidos por su fabricante.
- El límite máximo de carga para la HSD es de 170 kg que incluye piloto, pasajero (s), accesorios y cualquier carga adicional.
- El peso máximo sobre cada neumático no debe exceder los 95 kg cuando se infla a la presión máxima permitida de 4,5 bar. La sobrecarga y /o el inflado insuficiente de un neumático provoca un desgaste prematuro. Aproximadamente el 65% del peso total debe estar en la rueda trasera.
- El peso máximo admitido del pasajero es de 60 kg.

⚠ La HSD NO está diseñada para llevar pasajeros altos. Observe los límites anteriores y no sobrecargue.

Peso del ciclista (kg)	50	60	70	80	90	100	110	120
Carga máxima (kg)*	60**	60**	60**	60	50	40	30	20
Peso del ciclista (lb)	110	132	154	176	198	220	243	265
Carga máxima (lb)*	132**	132**	132**	132	109	87	65	43

ⓘ Valores basados en el peso medio del vehículo de 30 kg, incluidas las alforjas / portabultos.


ⓘ * Asegúrese de respetar los límites y las recomendaciones en la sección Peso y carga. El peso total está limitado por el peso máximo permitido en cada neumático y una distribución de peso del 60% en la rueda trasera

ⓘ ** Excede el 80% del peso recomendado por el piloto como se describe en la página 31. Solo lleve lo que pueda manejar cómodamente.

Límite de Peso Para el pie de Bicicleta:


A menos que se indique lo contrario, el caballete trasero montado tiene una capacidad de carga de 25 kg. Con el pie de apoyo bajado, el peso completo del HSD se comparte entre las ruedas y el caballete. Siga estas reglas generales:

- El caballete está diseñado solo para carga ligera.
- El caballete no está diseñado para aguantar la HSD totalmente cargada.
- Si transporta un pasajero, sostenga y ayude a estabilizar la HSD para reducir la carga del caballete mientras carga y descarga.

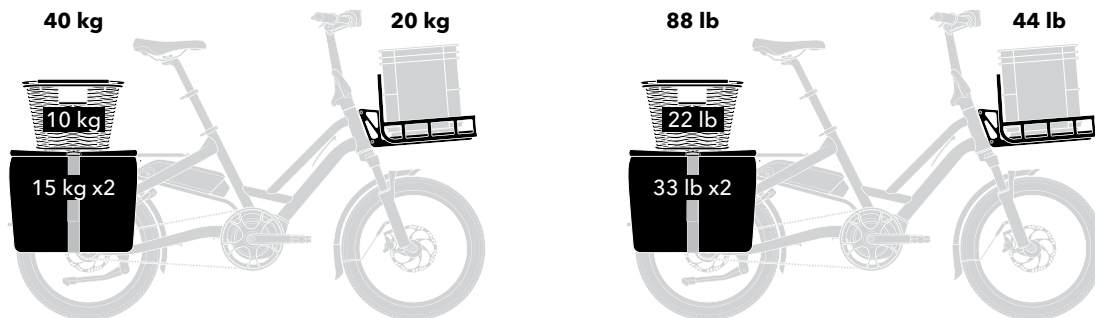
 **NUNCA permita que los niños se suban a la HSD por sí mismos, incluso si el caballete está abajo, a menos que un adulto esté sujetando la bicicleta.**

Límites de enganche de la HSD:

- El peso máximo en el anclaje Combo(tubo de dirección) es de 20 kg.
- El peso máximo en los reposapiés, si están instalados, es de 25 kg en cada lado.
- Peso máximo sobre el portabultos trasero 50 kg.
- El peso máximo en los laterales del portabultos trasero es de 20 kg. Mantenga el peso equilibrado entre los lados izquierdo y derecho para una estabilidad óptima.
- El límite de carga de los accesorios puede ser inferior al límite del anclaje. Consulte el manual de instrucciones incluido con el accesorio para conocer los límites máximos de carga.

 **Los límites de carga anteriores corresponden a cada anclaje. La carga total debe ser inferior a 60 kg.**

Cómo Cargar la HSD de Forma Adecuada



Recomendaciones Para un Andar Seguro y Feliz:

- **Consulte la normativa local:** algunos países no permiten el transporte de pasajeros en la parte trasera de una bicicleta. Otros pueden requerir accesorios específicos para hacerlo legalmente.
- **Compruebe las condiciones de su pasajero:** estas son pautas recomendadas para su uso. Como siempre, debe determinar si su pasajero es lo suficientemente fuerte y capaz como para ser transportado como pasajero en esta bicicleta.
- **Manejo:** la mayoría de los pilotos pueden cargar cómodamente el 80% de su peso. Debe determinar si se siente cómodo cargando tanto peso.
- **Practique, practique, practique:** el tamaño y la fuerza del ciclista afectarán a la facilidad con que se puede manejar una bicicleta cargada. Practique siempre en un área abierta y sin automóviles antes de transportar a un pasajero.
- **Tipo de camino:** La HSD solo debe usarse en caminos pavimentados o caminos de grava compacta nivelados y mantenidos.
- **Carga:** colóquela lo más bajo posible y sujeta firmemente a la HSD. Los artículos que no están debidamente sujetos pueden comprometer el manejo y poner en peligro a usted y a otras personas en el camino.
- **Preste atención:** NUNCA viaje con las manos fuera del manillar. NUNCA utilice un dispositivo portátil como un teléfono móvil cuando esté en marcha.

Consideraciones Acerca del Pasajero:

Para transportar con seguridad a un pasajero detrás asegúrese de que la HSD esté equipada adecuadamente y de que esté instalado y sujeto de forma segura:


- **Ubicación adecuada:** la única ubicación para transportar a un pasajero debe ser el portabultos trasero. No se permite ninguna otra ubicación.
- **Asiento adecuado:** para niños de 6 años o menos, use siempre un asiento para niños homologado. El asiento infantil Thule Yepp Maxi y Nexxt ha sido probado y aprobado para su uso con la Tern HSD. Para niños mayores y adultos de menos de 60 kg * (132 lb), instale un cojín de asiento para protegerse contra golpes.
- **Un par de reposapiés:** los pies del pasajero trasero deben estar apoyados horizontalmente durante el viaje. El apoyo para los pies es estrictamente para uso de los pasajeros cuando están SENTADOS. Subirse sobre ellos no es seguro y además puede dañar permanentemente el cuadro.
- **Asideros:** asegúrese de que los pasajeros tengan donde asirse durante el viaje. Siempre que la HSD esté en movimiento, los pasajeros que no estén en un asiento para niños deben agarrarse a algo fijo como el Sidekick Bars™.
- **Protección de los pies y las piernas:** instale protectores de ruedas o alforjas Cargo Hold 37 plegadas en ambos lados de la bici.
- **Utilize casco:** todos los pasajeros deben usar cascos homologados.
- **Verifique si hay correas sueltas colgando o ropa muy holgada en los pasajeros:** asegúrese de que las faldas, pantalones, cordones de los zapatos, etc. estén escondidos o atados para evitar que se enganchen cuando la bici esté en marcha.

ES

ⓘ Aunque el cuadro y el portabultos de la HSD son fuertes, no están destinados a transportar un pasajero que supere los 60 kg.

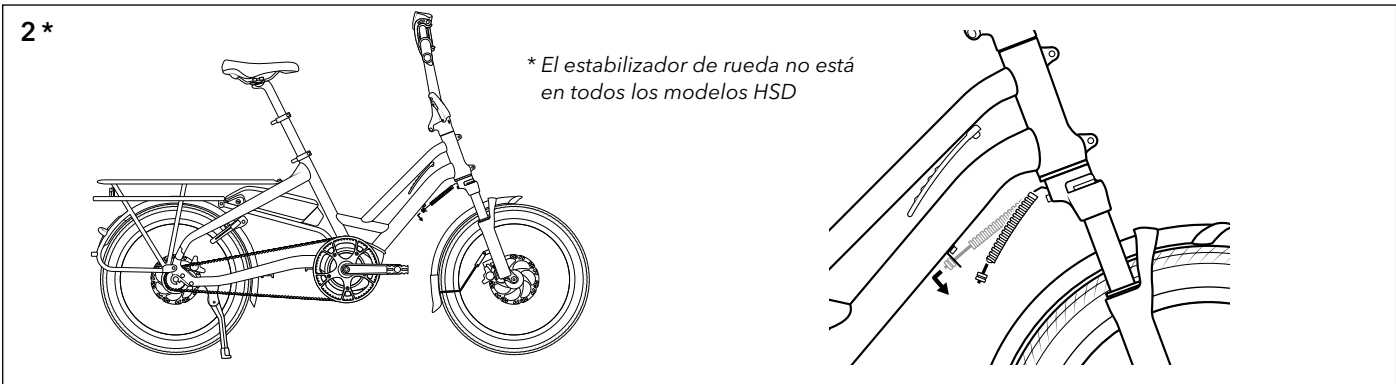
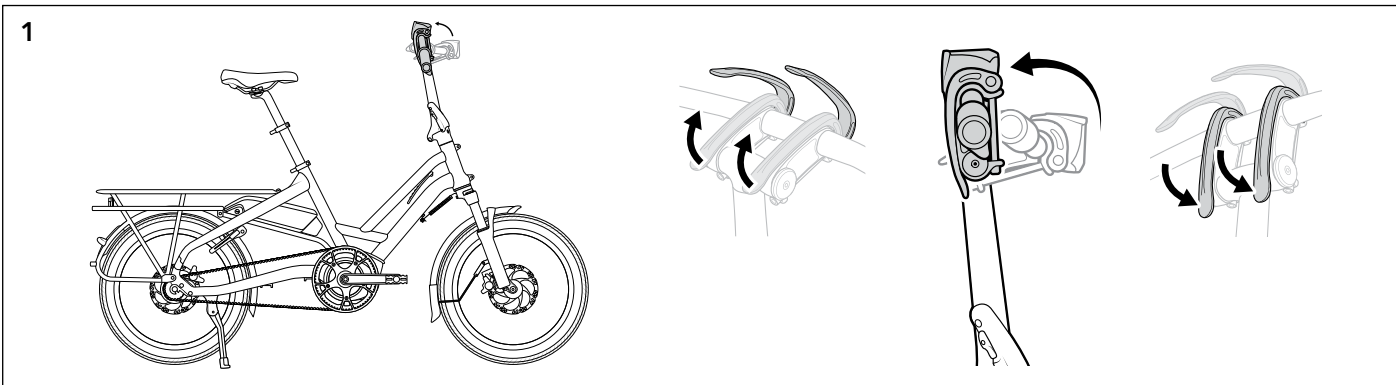
Subirse y bajarse de la bici

- Cuando un pasajero niño o adulto se sube al portabultos, SIEMPRE sostenga la bicicleta: NUNCA permita que los niños se suban a la HSD solos, a menos que un adulto esté sujetando la bici.
- Use el caballete cuando abroche a los niños: dado que el caballete mantendrá la bicicleta estable, puede usar las dos manos para abrochar de manera segura a los niños en una silla homologada.

 **No deje a los niños desatendidos en la parte posterior de la HSD: NUNCA, nunca, deje a los niños desatendidos en la parte posterior del HSD, incluso si está con el caballete abajo. Los niños al girarse pueden alterar el equilibrio de la bicicleta y una caída les puede provocar lesiones graves.**

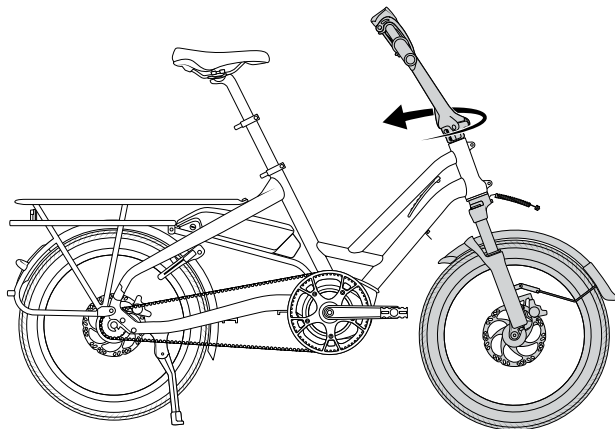
3. Plegado Plano

La Tern HSD se puede plegar parcialmente para reducir su tamaño. Para hacerlo, siga estos pasos:

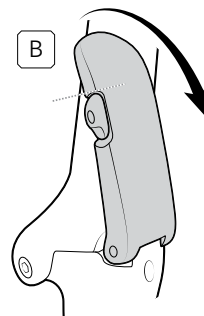
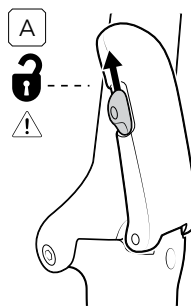
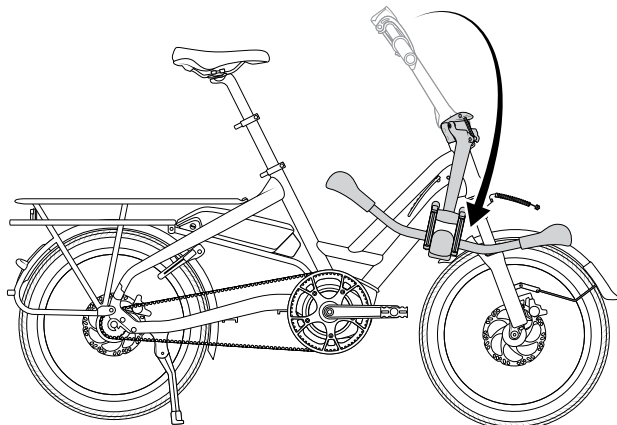


ES

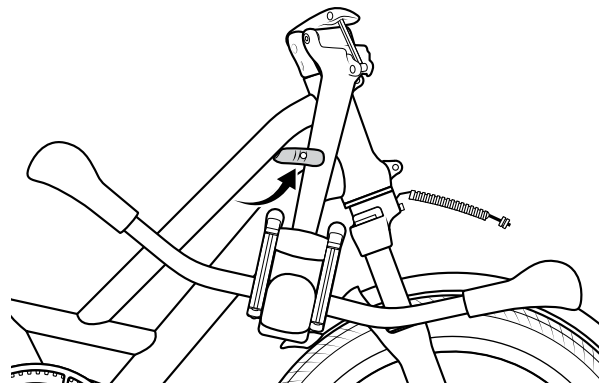
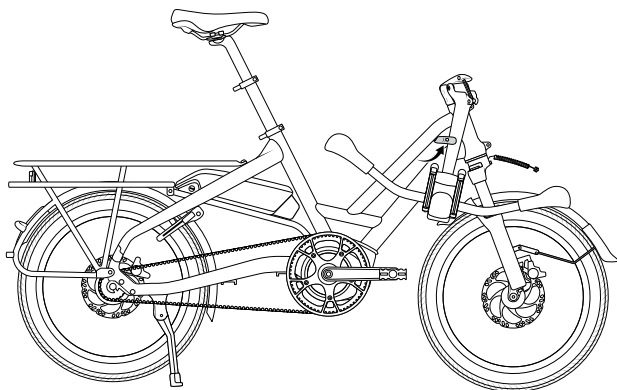
3



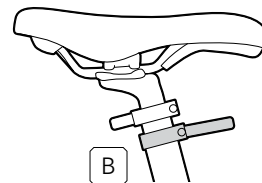
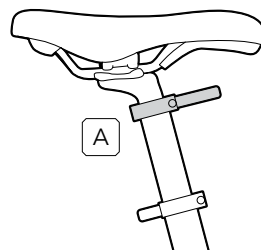
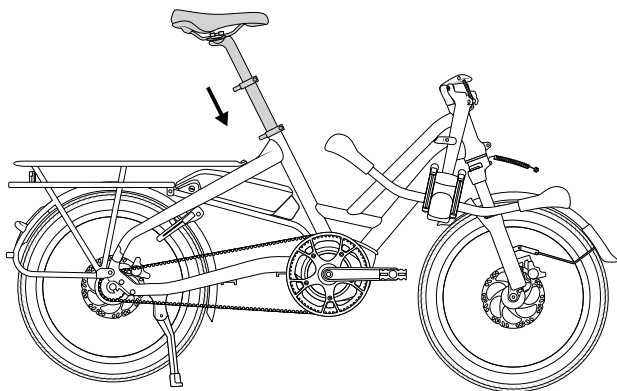
4



5



6

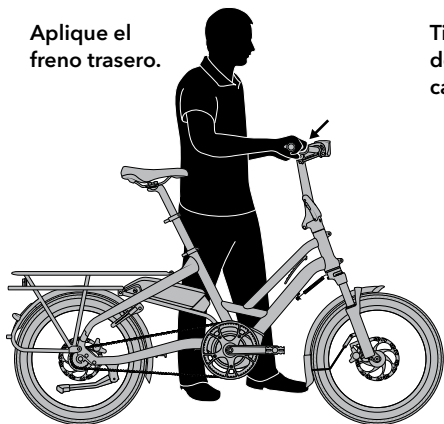


ES

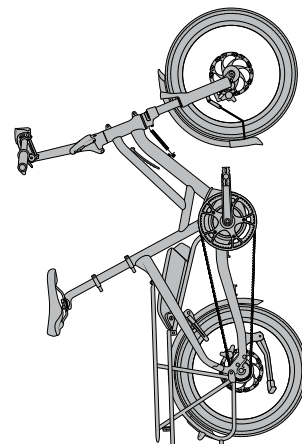
4. Posición Vertical

La Tern HSD está diseñada para sujetarse sobre cuatro puntos de contacto en el portabultos trasero. En esta configuración, la bicicleta ocupa muy poco espacio, lo que es muy útil en espacios reducidos, como en un ascensor o en un trastero.

Aplique el freno trasero.

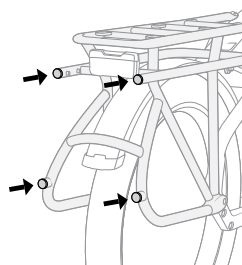


Tire hacia arriba del manubrio y camine hacia atrás.



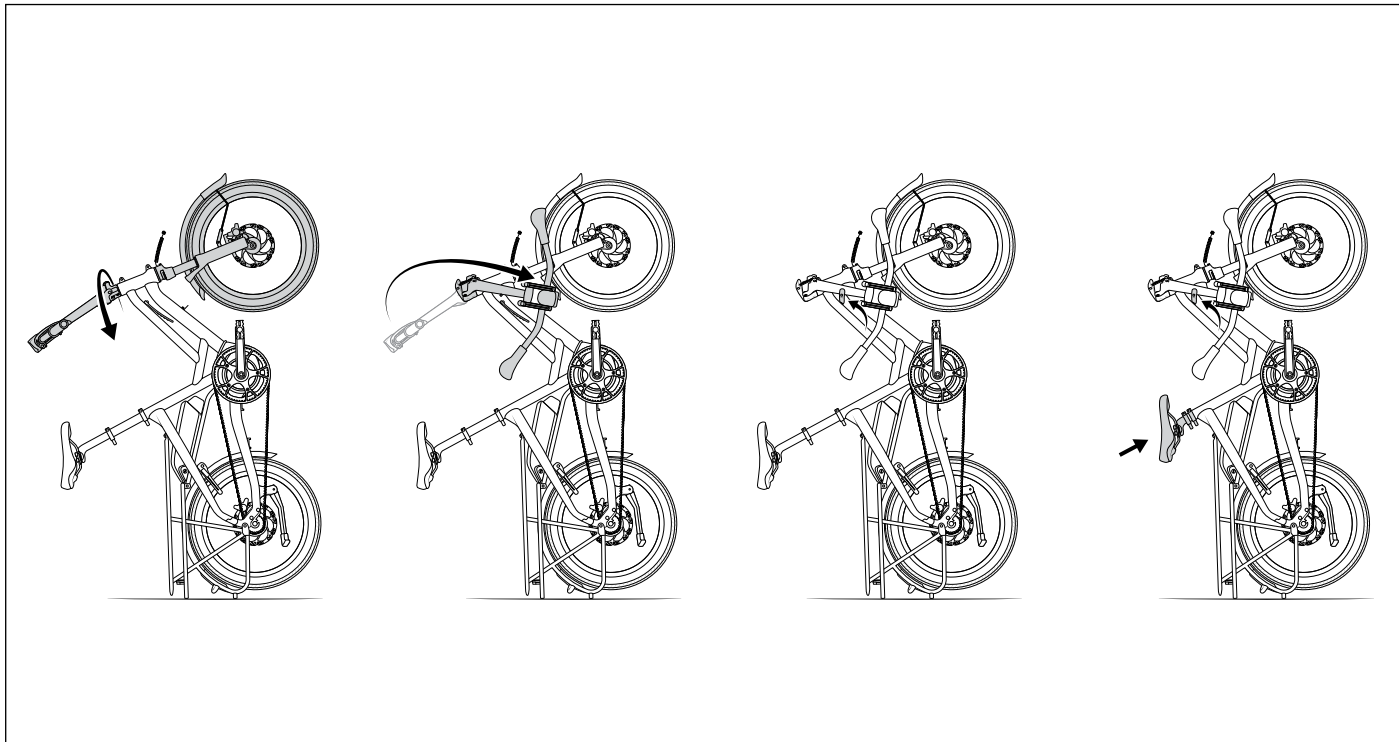
ES

⚠️ Asegúrese de que los cuatro puntos de contacto toquen el piso.



⚠️ En áreas públicas, sostenga la bicicleta para evitar que se caiga accidentalmente.

⚠️ Si deja la bicicleta desatendida en posición vertical, siempre amarre la bicicleta a un objeto fijo para evitar que se caiga.



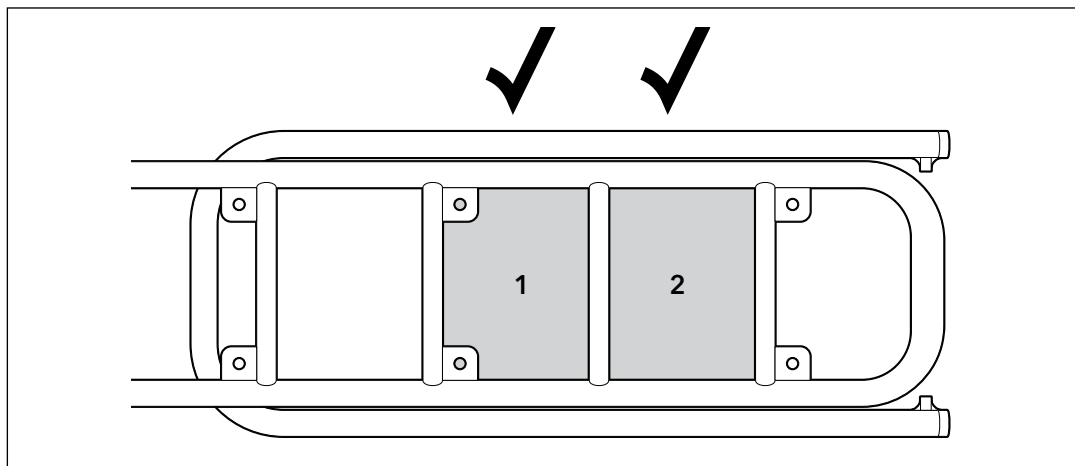
ES

5. Montaje de Asiento del Niño



El portabultos de la HSD está diseñado para montar un solo asiento infantil homologado, como el Thule Yepp Maxi y el Thule Yepp Nexxt Maxi.

Como regla general, coloque el asiento para niños lo más adelante posible. Asegúrese de que el talón del conductor no golpee el asiento para niños mientras pedalea.

La ubicación preferida para el asiento infantil Yepp Maxi es la primera ventana del portabultos. Si alcanza a tocar el talón, use la segunda ventana. La silla infantil Nexxt Maxi se puede montar a lo largo de las ventanas 1 y 2 en la posición más delantera posible.



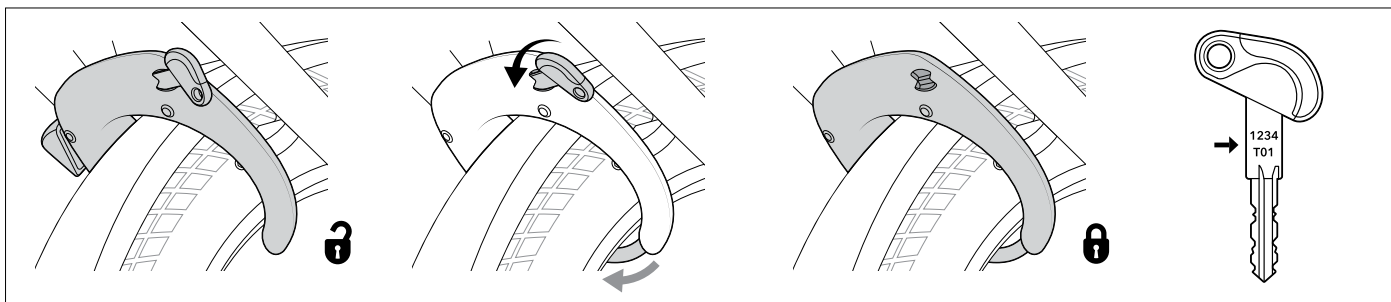
ES

-  Siga las instrucciones de montaje del fabricante de la silla infantil.
-  No acelere bruscamente, especialmente en rampas pronunciadas para evitar que la rueda delantera se separe del suelo.

6. Bloqueo de Cuadro y Batería

Esta sección se aplica si su modelo está equipado con un candado de cuadro.

- ❗ Si bien los candados de cuadro protegen contra el uso de personas no autorizadas, se recomienda encarecidamente el uso de un segundo candado.
- ❗ La llave no puede ser extraída del candado de cuadro mientras está abierto.



La misma llave desbloquea el candado y la batería. El código de la llave está anotado en una tarjeta que se suministra junto con el candado y la propia llave.

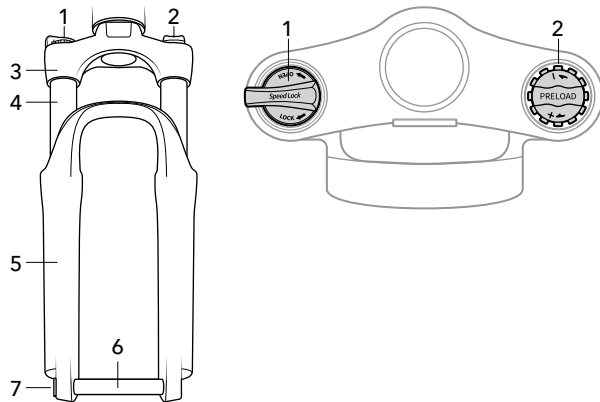
Anote el código de la llave y/o guarde la tarjeta del código en un lugar seguro por si necesita pedir un reemplazo al fabricante del candado. Es posible que no pueda recuperar sus candados si falta esta información. Ciertos fabricantes permiten el registro de sus candados online para proporcionar un mejor servicio de reemplazo.

En caso de que no pueda recuperar su llave ni el código de la llave, puede llevar su HSD al distribuidor local de Bosch para intentar recuperar el código mediante el controlador de Bosch. Tenga en cuenta que esta información puede no estar siempre disponible.

7. Horquilla de Suspensión

Nomenclatura de las Partes

- | | |
|----------------------------------|-------------------|
| 1. Ajuste de velocidad y bloqueo | 4. Puntera |
| 2. Ajuste de Precarga | 5. Parte Inferior |
| 3. Cabezal | 6. Eje Hueco |
| | 7. Tapa Eje Hueco |



Si su HSD está equipada con horquilla de suspensión, hay dos ajustes disponibles.

Ajuste de Precarga

- La suspensión se puede ajustar al peso del ciclista y al estilo de conducción preferido mediante el ajuste de precarga (2).
- Este dial establece la compresión de precarga del resorte para compensar el peso del ciclista.
- Gire el dial de ajuste de precarga (2) en sentido horario para aumentar la precarga del resorte y gírela en sentido antihorario para reducirla.

Ajuste de Bloqueo Rápido

- Gire el dial del bloqueo (1) hacia LOCK para desactivar la suspensión.
- Es posible que desee bloquear la horquilla cuando conduzca sobre superficies bien pavimentadas y lisas o para mejorar la eficiencia del pedaleo en subidas.
- Gire el dial de ajuste de bloqueo hasta la posición OPEN para habilitar la suspensión.

Espacio para la cubierta

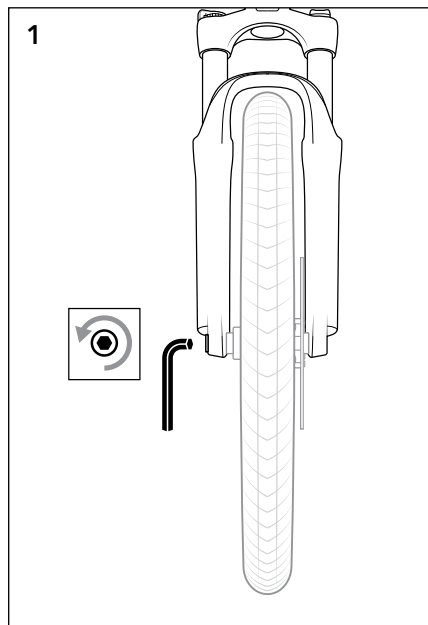
La cubierta no debería tocar la horquilla en ningún caso.

⚠️ No cambie sus neumáticos a un tamaño diferente al original. Una separación inadecuada de los neumáticos puede provocar una pérdida repentina e inesperada del control de la bicicleta, lesiones o incluso la muerte.

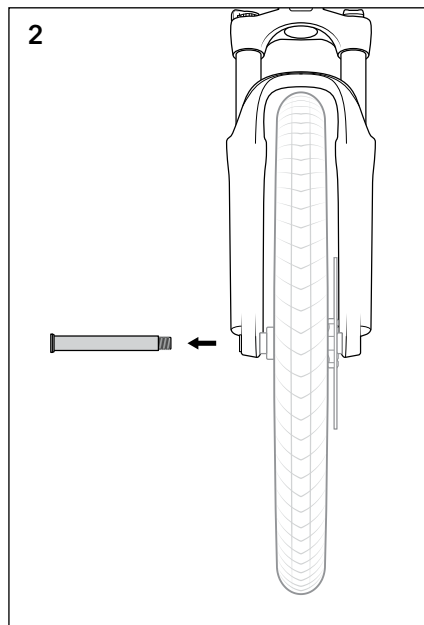
Desmontado de Ruedas

La Tern HSD utiliza un eje pasante en la rueda delantera. Este sistema es mucho más fuerte que el cierre rápido convencional. Para quitar la rueda, es necesario extraer el eje pasante.

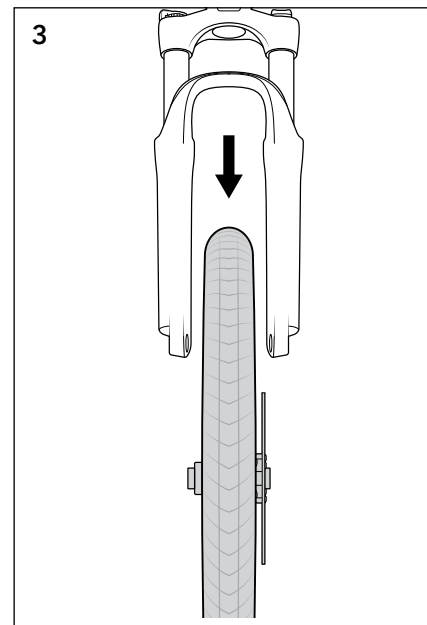
 Herramienta requerida: llave allen de 5mm.




1 Afloje la tapa del eje pasante (7) en el lado de la transmisión con una llave allen de 5 mm.



2 Retirar la tuerca y extraer el eje.



3 Quite la rueda

 No apriete la palanca de freno mientras la rueda está quitada.

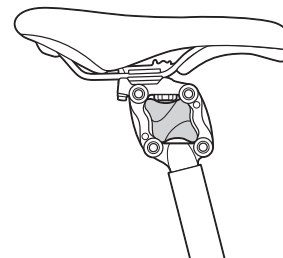
8. Tija de Suspensión

Esta sección es para modelos equipados con la tija de sillín de suspensión Thudbuster ST. El Thudbuster utiliza elastómeros como elemento de suspensión dentro de una carcasa de paralelogramo donde la distancia del asiento al pedal nunca cambia.

Selección de Elastómeros

El elastómero está fabricado en caucho natural por sus características de amortiguación favorables y su funcionamiento completamente silencioso. Para identificar la dureza del elastómero, localice el número en el dial pequeño que está moldeado en el lateral. 1 es extra suave, 9 es extra firme y 5 es medio. Cane Creek ofrece varios elastómeros para elegir. La tija Thudbuster debe configurarse con el elastómero apropiado antes de circular.

Peso del Ciclista		Elastómero Mínimo Recomendado
(Kilos)	(Libras)	
Menos de 45	Menos de 100	Extra Suave - #1
45-64	100-140	Suave - #3
64-86	140-190	Medio - #5
86-114	190-250	Duro - #7
Over 114	Over 250	Excede el límite de la tija



ES

⚠ El peso máximo permitido del ciclista es de 114 kg. Nunca use un elastómero más blando que el recomendado para su peso.

⚠ Revise periódicamente los elastómeros por si estuvieran gastados y sustitúyalos si es necesario.

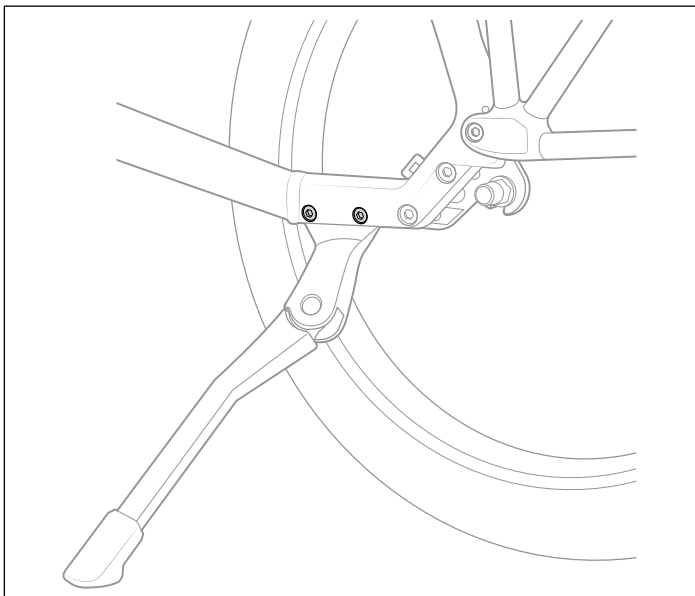
Para más detalles acerca de cambio de elastómeros, mantenimiento y otras precauciones lea detenidamente las instrucciones incluidas en la HSD.

9. Montaje de remolque

El caballete montado en la vaina tiene un espacio entre tornillos de 40 mm y es compatible con varios kits de remolque del mercado de accesorios, como el Weber EH.

 Siga las instrucciones que figuran en el manual del propietario del kit de remolque.

 Respese los límites de carga y velocidad proporcionados por el fabricante del kit de remolque.



10. Sistema de Transmisión por Correa

Esta sección es para modelos equipados con sistema de transmisión por correa Gates Carbon Drive.

Su HSD viene con Punteras Deslizantes que proporcionan 20 mm de ajuste. Una vez ajustado correctamente, es posible quitar y poner la rueda trasera en la posición correcta con la tensión perfecta.

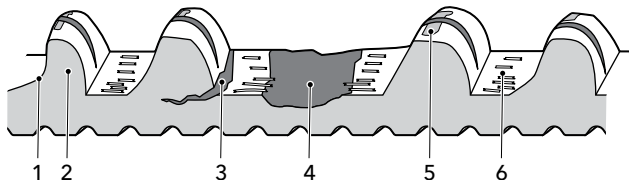
El tornillo de tensión positiva evita que el sistema se destense involuntariamente.

Inspección Visual

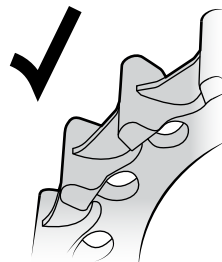
Inspeccione periódicamente la correa y la corona dentada en busca de desgaste. Llévelo a su distribuidor para que lo reemplace si las piezas están desgastadas como se muestra a continuación.

Origen de la ilustración: Documentos de Gates Technology

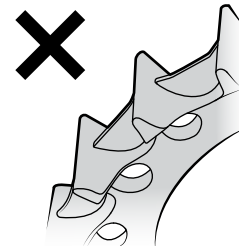
ES



1. Diente de Tiburón
2. No Simétrico
3. Bielas
4. Diente Perdido
5. Tejido desgastado con cuerpo de polímero expuesto.
6. Las fibras de carbono están visibles



Esta corona dentada CenterTrack está en excelentes condiciones.




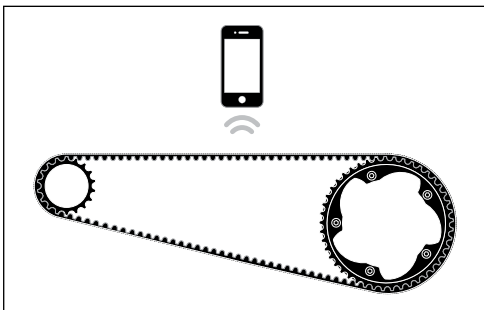
Sustituir la corona CenterTrack cuando los dientes se desgasten como se muestra en la ilustración de arriba.

Comprobar Tensión de la Correa

Mantener la tensión adecuada de la correa es esencial para un funcionamiento óptimo. La falta de tensión de la correa puede provocar un salto, que es cuando los dientes de la correa se deslizan sobre los dientes de la rueda dentada trasera. Demasiada tensión puede dañar los cojinetes del buje trasero y puede obstaculizar el sistema desgastando prematuramente la transmisión.

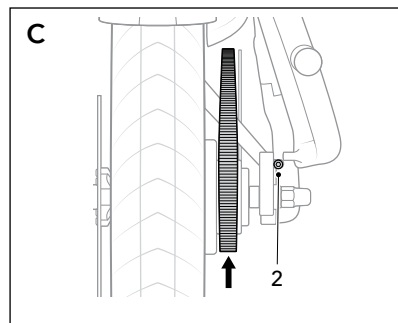
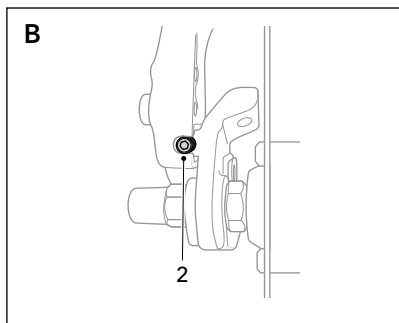
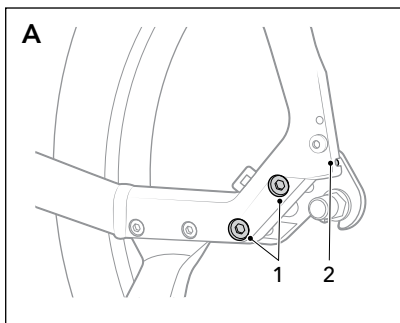
A menos que tenga una herramienta especial de medición de tensión, la mejor opción es utilizar la aplicación móvil Gates Carbon Drive, disponible para Android y iPhone. La aplicación mide la tensión de la correa a partir de la frecuencia natural (Hz) de la correa convirtiendo el sonido vibratorio en la frecuencia primaria de la correa.

- Desde la aplicación Carbon Drive, haga clic en la pestaña Frecuencia y luego haga clic en el icono Medir. 



- Mantenga el teléfono cerca de la correa.
- Tire de la correa para que vibre de manera similar a una cuerda de guitarra. Gire la biela un cuarto de vuelta repita la medición de frecuencia. Complete una vuelta completa la correa.
- Tome la media de esas mediciones. 15 Hz de variación entre medidas se considera aceptable.
- Para la HSD, la medición media debería ser entre 35-50Hz.

Procedimiento de Ajuste de Tensión de Correa



 **Herramientas necesarias: llaves allen M3 y M6**

Pasos:

A. Aflojar sin retirar (1) los Tornillos de las Punteras.

B. Ajuste de Tensión

- Para tensar, gire el tornillo tensor (2) en sentido horario para alargar la distancia de la vaina. Haga la misma cantidad de ajuste en el otro tornillo tensor para que ambas punteras mantengan la alineación.
- Para destensar, gire el tornillo tensor (2) en sentido antihorario para reducir la distancia de la vaina. Haga la misma cantidad de ajuste en el otro tornillo tensor para que ambas punteras mantengan la alineación. Empuje la rueda trasera hacia adelante hasta que el tornillo tensor se apoye contra el cuadro.

C. Verifique que la correa esté alineada y que la rueda esté centrada en el cuadro.

D. Apretar los tornillos de las punteras (1) a 25Nm.

 **Si no tiene conocimientos mecánicos haga que su tienda de confianza se lo ajuste.**

 **Para atención adicional, resolución de problemas y precauciones, consulte el Manual del propietario de Gates.**

11. Envio AUTOMATiQ

Para los modelos equipados con el Buje Automático Continuo Envio, los controles están integrados en la unidad de control Intuvia de Bosch. Esto elimina la necesidad de una palanca de cambios adicional en el manillar.

Selección de Marcha

Cambio Automático

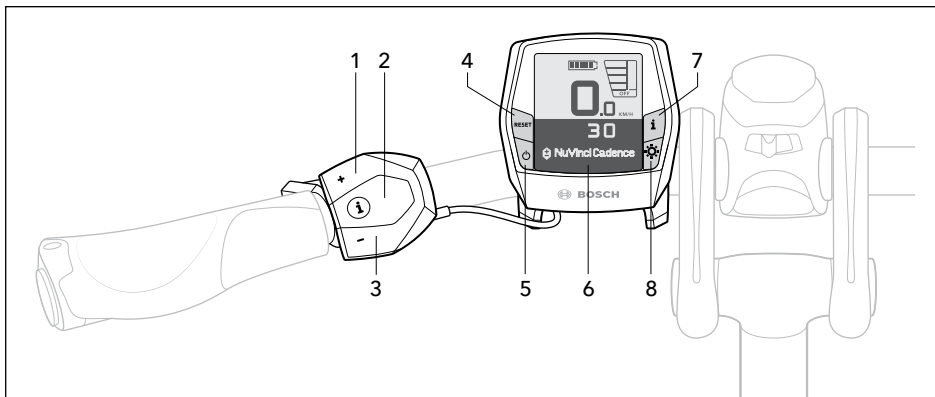
Pulse el botón de información (2) o (7) hasta que la pantalla (6) muestre "Cadencia NuVinci". Presione + (1) o - (3) para establecer su cadencia preferida. La transmisión se controla automáticamente para que siempre puedas pedalear al mismo ritmo sin importar el terreno.

Cambio Manual

Mantenga presionado el botón de información (2) o (7) hasta que la pantalla (6) muestre "NuVinci Gear". Presione + (1) o - (3) para configurar su desarrollo preferido.

Nivel de Asistencia del Motor

Presione el botón de información (2) o (7) hasta que la pantalla (6) NO muestre "NuVinci Cadence" o "NuVinci Gear". Presione + (1) o - (3) para establecer su nivel de asistencia preferido.



Enviolo App

- La configuración y actualización del firmware se puede hacer usando la aplicación Enviolo a través de la conexión Bluetooth. Visite la tienda de aplicaciones de iPhone o Android para descargar la aplicación para su teléfono.
- Después de emparejar mediante Bluetooth se le pedirá que actualice si existe una versión actualizada del firmware.
- Siga las instrucciones que se muestran en pantalla para actualizar el firmware.

Limpieza

- Sus componentes Enviolo están sellados y bien protegidos del entorno. Sin embargo, no use agua a presión (como hidrolimpiadoras a presión o chorros de agua) para limpiar para evitar el mal funcionamiento debido a la penetración del agua.
- Durante el invierno, debe limpiar su bicicleta con frecuencia, para evitar que la sal de la carretera de invierno pueda causar daños.
- No use limpiadores agresivos.

Engrase

- Los bujes internos Enviolo están provistos de lubricación permanente y el sistema de engranajes interno no necesita mantenimiento durante la vida útil del producto.
- El mecanismo interno del buje es reparable.

ES

Almacenamiento

- No guarde sus componentes Enviolo a temperaturas ambiente inferiores a -20°C o superiores a 48°C .

12. Accesorios HSD

Una completa gama de accesorios está disponible para la HSD.
Visite ternbicycles.com/hsd para conocer los últimos accesorios HSD.



Contenu

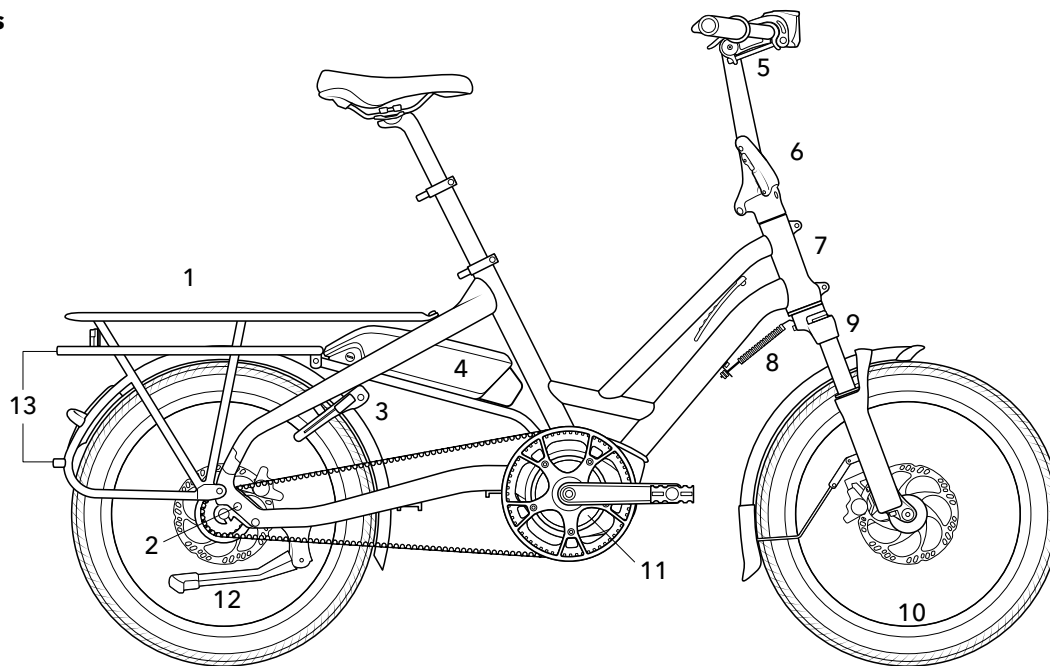
1. Informations Générales	51	Blocage rapide de la fourche.....	64
Signification des Icônes	52	Dégagement du pneu.....	64
Utilisation prévue.....	52	Démontage de la Roue.....	65
2. Poids et Chargement	53	8. Tige de selle Suspendue	66
Les Limites du HSD.....	53	Choisir un élastomère	66
Béquille - Limite de Poids.....	54	9. Montage d'une remorque.....	67
HSD Limites de Fixation.....	54	10. Courroie	68
Recommandations pour une		Inspection visuelle	68
Utilisation Sûre et Heureuse	55	Vérifier la tension de la courroie.....	69
Considérations pour les passagers	56	Ajustement de la tension de la courroie	70
Monter et descendre du vélo.....	56	11. Enviolo AUTOMATIQ	71
3. Pliage Plat.....	57	Changement de vitesse	71
4. Stationnement Vertical	60	Appli Enviolo.....	72
5. Montage du Siège d'enfant	62	Nettoyage	72
6. Antivol du cadre et de la Batterie	63	Lubrification.....	72
7. Fourche Suspendue.....	64	Stockage	72
Ajustement de la prétension.....	64	12. Accessoires pour le HSD	73

1. Informations Générales

Félicitation pour l'achat de votre Tern HSD, un Ebike petit mais costaud, maniable, facile à partager et qui peut porter une grande quantité de choses. Pour la plupart des cyclistes le HSD est juste le bon vélo qu'il vous faut.

Nomenclature des Pièces

1. Porte Bagage Atlas H
2. Bases réglables Atlas H
3. Antivol de Cadre
4. Batterie
5. Andros
6. Potence Physis
7. Combo Mount
8. Stabilisateur de direction
9. Fourche
10. Roues Atlas
11. Moteur
12. Béquille
13. Point de contact du Stationnement Vertical



Signification des Icônes



Indique comment utiliser le produit ou les accessoires qui requièrent une attention spéciale.



Dangers non mortels possible si les instructions ne sont pas suivies.



Une action incorrecte peut résulter en la détérioration de l'équipement.



Vous devez avoir l'outillage approprié, tel une clé dynamométrique pour les accessoires qui nécessitent un couple de serrage spécifique. Un serrage au mauvais couple: trop bas ou trop haut, peut induire une chute ou la casse d'un composant et peut provoquer des accidents et de sérieuses blessures.



Danger de mort si les instructions ne sont pas suivies ou des mesures préventives ne sont prises.

Utilisation prévue

Le HSD est conçu pour porter jusqu'à deux personnes en roulant toujours avec les deux roues en contact sur une route pavée, asphaltée ou un chemin en terre battue entretenu. Il n'est pas prévu pour faire des courses, sauts, bonds, wheelings ou acrobaties en tous genres.

 Si les instructions ne sont pas suivies comme décrites ci-dessus il peut en résulter de graves blessures.

FR

Le fabricant ou le revendeur ne peuvent pas être tenus responsables pour toute détérioration direct ou indirect résultant d'un usage impropre.

La garantie sera annulée si votre HSD n'est pas utilisé en accord avec son utilisation prévue. Veuillez vous reporter à la carte de garantie du HSD incluse dans votre carton pour plus de détails.

2. Poids et Chargement

Le Tern HSD est conçu pour porter des charges. En plus de se conformer au standard EN 15194 pour les Ebikes, Le HSD a suivi des test additionnels pour s'assurer de pouvoir porter jusqu'à 60 kg (132 lb). La charge arrière peut être composée d'un enfant dans un siège certifié, de sacoches ou de panniers ou une combinaison des deux. Toutefois, des restrictions s'appliquent et il faut considérer à charger le HSD d'une manière à maximiser le confort et la stabilité du cycliste.

⚠ Le poids total en charge, exempté du poids du cycliste, en tous points du velo ne doit pas dépasser 60kg.

Les Limites du HSD:

- Le poids du cycliste ne doit pas dépasser 120kg (265 lb) lors de l'utilisation d'une tige de selle sans suspension. Si votre HSD est équipé avec une tige de selle suspendue, référez vous à la limite donnée par son fabricant.
- Le poids total admissible pour le HSD est de 170kg (375 lb) ce qui inclut le cycliste, le(s) passager(s), accessoires et toute charge additionnelle.
- Le poids total sur chaque pneu ne doit pas dépasser 95 kg (209 lb) lorsque le pneu est gonflé à la pression maximale autorisée de 65 psi (4.5 bar). Sur-gonfler et/ou sous-gonfler un pneu peu causer une usure prématurée de ce dernier. Approximativement 65% de la masse totale se trouve réparti sur la roue arrière.
- Le poids maximal pour un passager est limité a 60 kg (132 lb).

⚠ Le HSD n'est PAS conçu pour porter un passager de grande taille. Observez ci dessous les limites de sur-charge.

Poids du cycliste (kg)	50	60	70	80	90	100	110	120
Charge maximale (kg)*	60**	60**	60**	60	50	40	30	20
Poids du cycliste (lb)	110	132	154	176	198	220	243	265
Charge maximale (lb)*	132**	132**	132**	132	109	87	65	43

ⓘ Chiffres basés sur un véhicule moyen de 30 kg, incluant sacoches/ porte paquet avant.

ⓘ * Assurez vous de suivre les limites et recommandations dans la section Poids et chargement. Le poids total autorisé est limité par le poids total admissible par un pneu et la distribution de 60% du poids sur la roue arrière.

ⓘ ** Dépasse 80% du poids du cycliste, comme décrit page 55. Ne transportez que ce que vous pouvez confortablement manoeuvrer.

Bequille - Limite de Poids:


Sauf indication contraire, la béquille arrière a une capacité de charge de 25 kg. Avec la béquille déployée, le poids total du HSD est réparti entre les roues et la béquille. Suivez cette règle générale:

- La Béquille n'est conçue que pour des chargements légers.
- La Béquille n'est pas conçue pour soutenir un HSD chargé à son maximum.
- Si vous transportez un passager, tenez et aidez à stabiliser le HSD pour réduire la pression sur la béquille lorsqu'il monte ou descend.

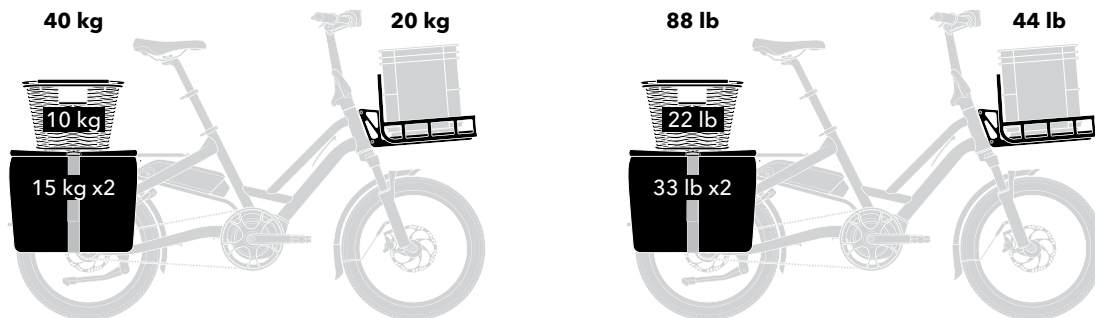
 **NE JAMAIS autoriser un enfant à monter seul sur le HSD même si la béquille est déployée sans qu'un adulte ne stabilise le vélo.**

HSD Limites de Fixation:

- Poids maximal sur le Combo Mount (Tube de direction) est de 20 kg (44 lb).
- Poids maximal sur un repose pied, si installé, est de 25kg (55 lb) par côté.
- Poids maximum sur le dessus du porte bagage arrière est de 50 kg (110 lb).
- Poids maximal sur les côtés du porte bagage arrière est de 20 kg (44 lb). Conservez une bonne répartition des masses entre le côté droit et gauche pour une stabilité optimisée.
- Les accessoires individuels peuvent avoir une charge maximale inférieure à celle de leur point d'ancrage. Veuillez vous référer aux instructions incluses avec vos accessoires pour en connaître leur charge maximale.

 **Les charges maximales ci-dessus se rapportent à un point d'ancrage individuel sur le vélo. Le Poids total en charge doit rester en dessous de 60 kg (132 lb).**

Exemples Montrant une Charge Admissible sur un HSD



Recommandations pour une Utilisation Sûre et Heureuse:

- **Vérifiez votre législation locale:** Certains pays n'autorisent pas le transport de passagers sur l'arrière d'un vélo. D'autres requièrent des accessoires spécifiques pour le faire légalement.
- **Vérifiez au bien-être de votre passager:** C'est une ligne directrice à suivre comme usage. Comme toujours, vous devez être à même de déterminer si votre passager est assez vigoureux ou alerte pour être transporté comme passager sur un vélo.
- **Manoeuvrabilité:** La plupart des cyclistes peuvent porter confortablement 80% de leur poids sur un vélo. Vous devez déterminer si vous êtes capable de porter une telle charge confortablement.
- **L'entraînement, l'entraînement, l'entraînement:** La taille et la force du cycliste peut définir avec quelle facilité un vélo chargé peut être manoeuvré. Entraînez vous toujours dans un endroit ouvert, éloigné de tout trafic avant de transporter un passager.
- **Type de routes:** Le HSD doit être uniquement utilisé sur une route pavée ou de la terre battue entretenue lisse et régulière.
- **Chargement:** Placez le aussi bas que possible attaché solidement au HSD. Des objets incorrectement attaché peuvent compromettre la maniabilité et vous mettre en danger ainsi que d'autres usagers de la route.
- **Faites Attention:** NE JAMAIS rouler sans les mains sur le guidon. NE JAMAIS utiliser d'appareil portable comme un téléphone portable lorsque vous êtes en mouvement.

Note pour le transport de Passagers:


Pour transporter de manière sûre un passager à l'arrière, veuillez vous assurer que le HSD est équipé de l'équipement requis, qu'il soit installé convenablement et solidement attaché:

- **Un endroit approprié:** Le seul endroit dédié au transport de passagers est sur le porte bagage arrière. Tout autre endroit n'est pas permis.
- **Un siège approprié:** Pour les enfants de 6 ans et moins, utilisez toujours un siège enfant approuvé. Le siège enfant Thule Yepp Maxi et le Nexxt ont été testés et approuvés pour être utilisé sur le Tern HSD. Pour un enfant plus âgé ou un adulte de moins de 60 kg* (132 lb), installez un coussin de siège pour le protéger des secousses.
- **Une paire de repose-pieds:** Les deux pieds du passager arrière doivent reposer sur un support plat pendant le trajet. Les repose-pieds sont strictement fait pour être utilisés lorsque le passager est ASSIS. Se tenir debout sur ceux ci est dangereux et peut abîmer définitivement le cadre.
- **Des poignées:** Assurez vous que les passagers aient quelque chose pour se tenir pendant le trajet. Lorsque le HSD est en mouvement, les passagers qui ne sont pas dans un siège enfant doivent avoir quelque chose de stable où s'aggriper comme le Sidekick™ Bars.
- **Une protection pour les jambes et les pieds:** Installez le fillet pare jupe Sidekick™ Wheel Guard ou les sacoches cargo Hold 37 plié à plat sur les deux côtés du vélo.
- **Portez un casque:** Tous les passagers doivent porter un casque certifié.
- **Vérifiez les sangles pendantes ou les habits amples:** Assurez vous que robes, pantalons, laçets, etc. soient rangés ou attachés correctement pour éviter d'être entraîné en mouvement lorsque le vélo roule.

⚠ **Même si le cadre et le porte bagage du HSD est solide, il n'a pas été conçu pour porter un passager au dessus de 60 kg (132lb).**

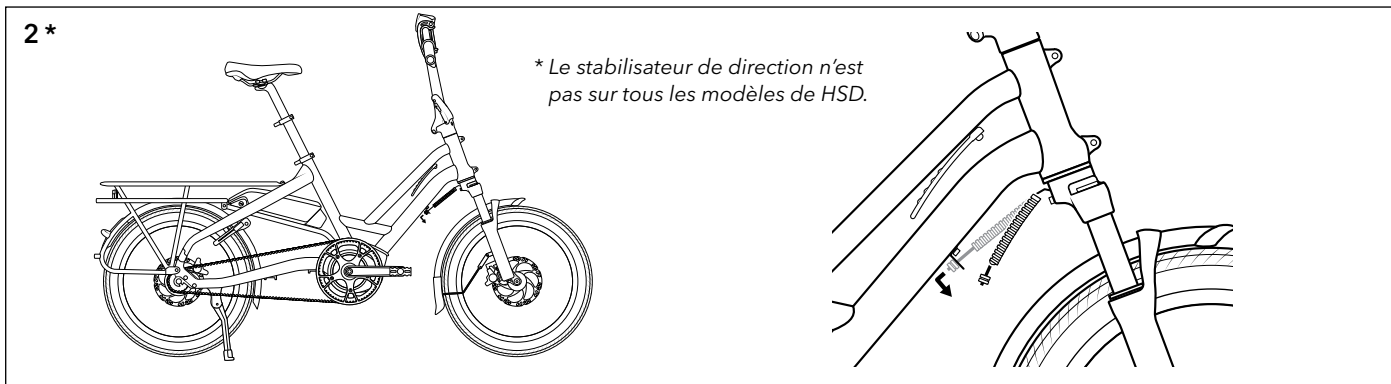
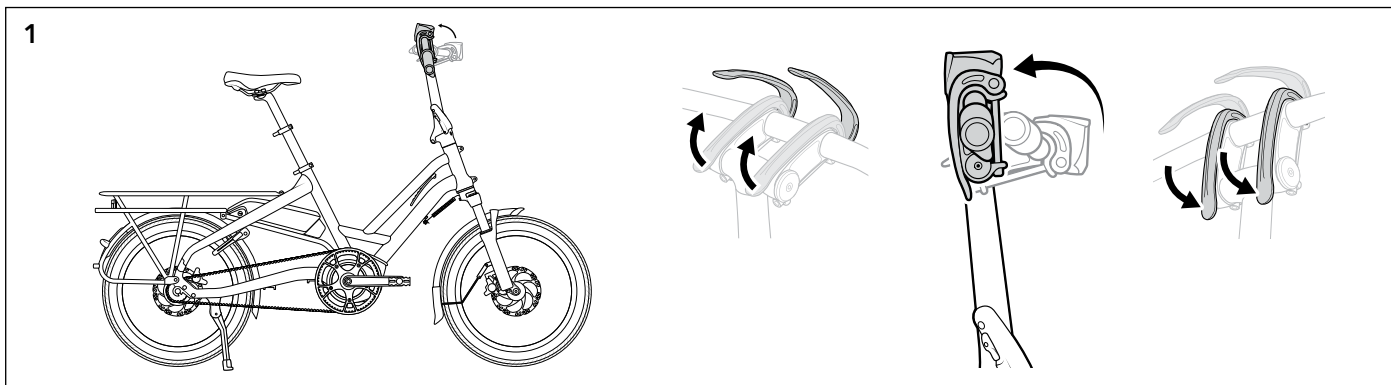
Monter et Descendre du Vélo

- Lorsqu'un passager enfant ou adulte monte sur le porte bagage arrière, tenez TOUJOURS le vélo: NE JAMAIS laisser un enfant monter seul sur le HSD sans qu'un adulte ne stabilise le vélo.
- Utilisez la béquille lorsque vous attachez la ceinture d'un enfant: Parceque la béquille va maintenir le vélo stable, vous pouvez utiliser vos deux mains pour attacher sa ceinture dans son siège enfant.

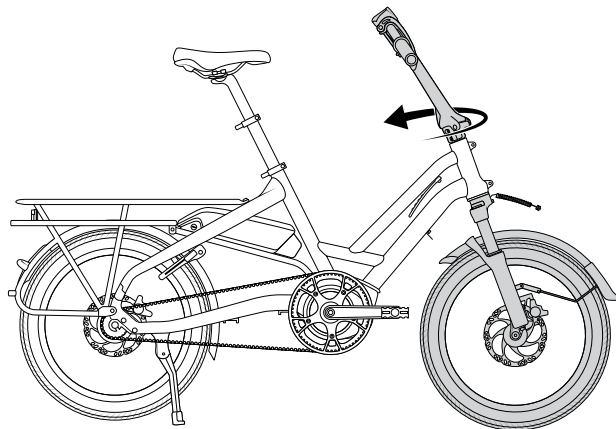
 **Ne laissez pas un enfant sans surveillance à l'arrière du HSD: NE JAMAIS, jamais laisser un enfant sans surveillance à l'arrière du HSD, même avec la béquille déployée. Un enfant qui gigotte peu compromettre la stabilité du vélo et la chute peut induire de sérieuses blessures.**

3. Pliage Plat

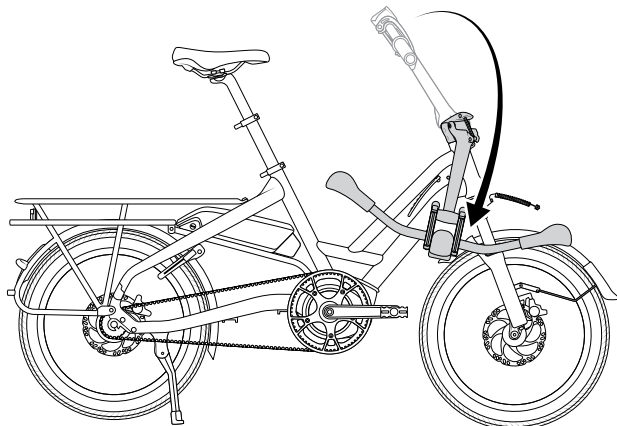
Le Tern HSD peut être plié à plat pour réduire son volume. Pour se faire suivez les étapes ci après:



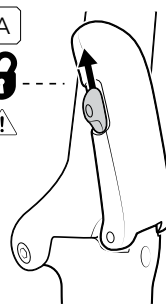
3



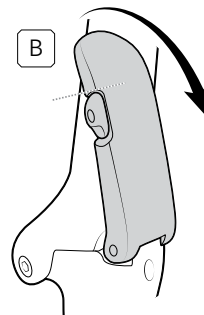
4



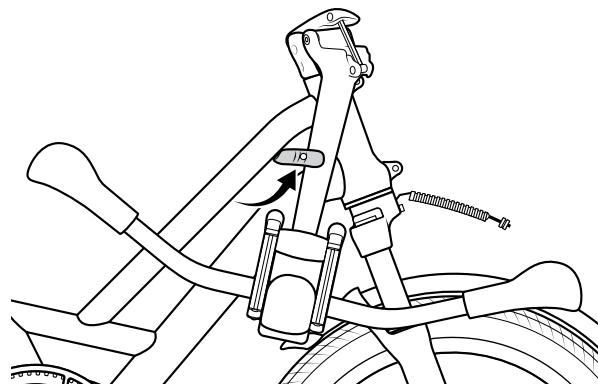
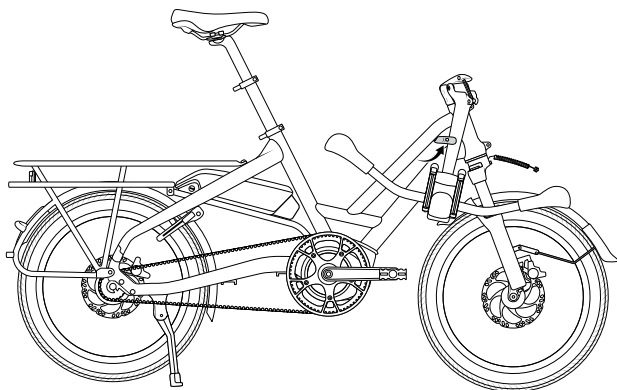
A



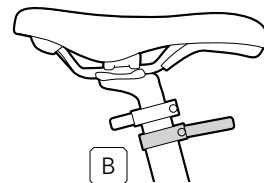
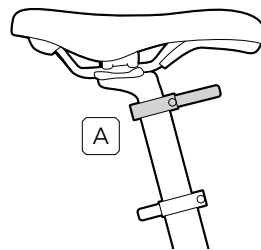
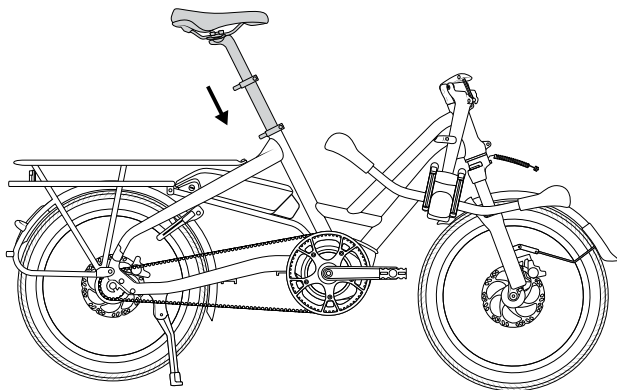
B



5



6

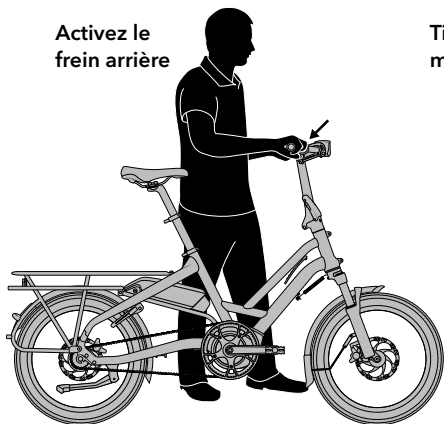


FR

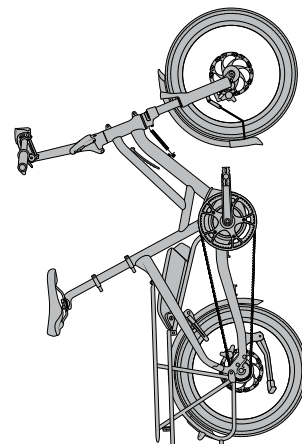
4. Stationnement Vertical

Le Tern HSD est conçu pour tenir verticalement sur les quatre points de contacts sur le rack arrière. Dans cette configuration, le vélo prends peu d'espace au sol, ce qui est utile dans les espaces restreints, tel un ascenseur ou un lieu de stockage.


Activez le
frein arrière

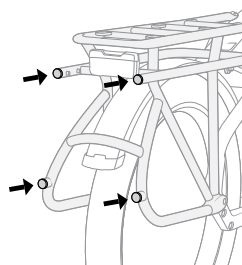



Tirez sur le guidon et
marchez en arrière.




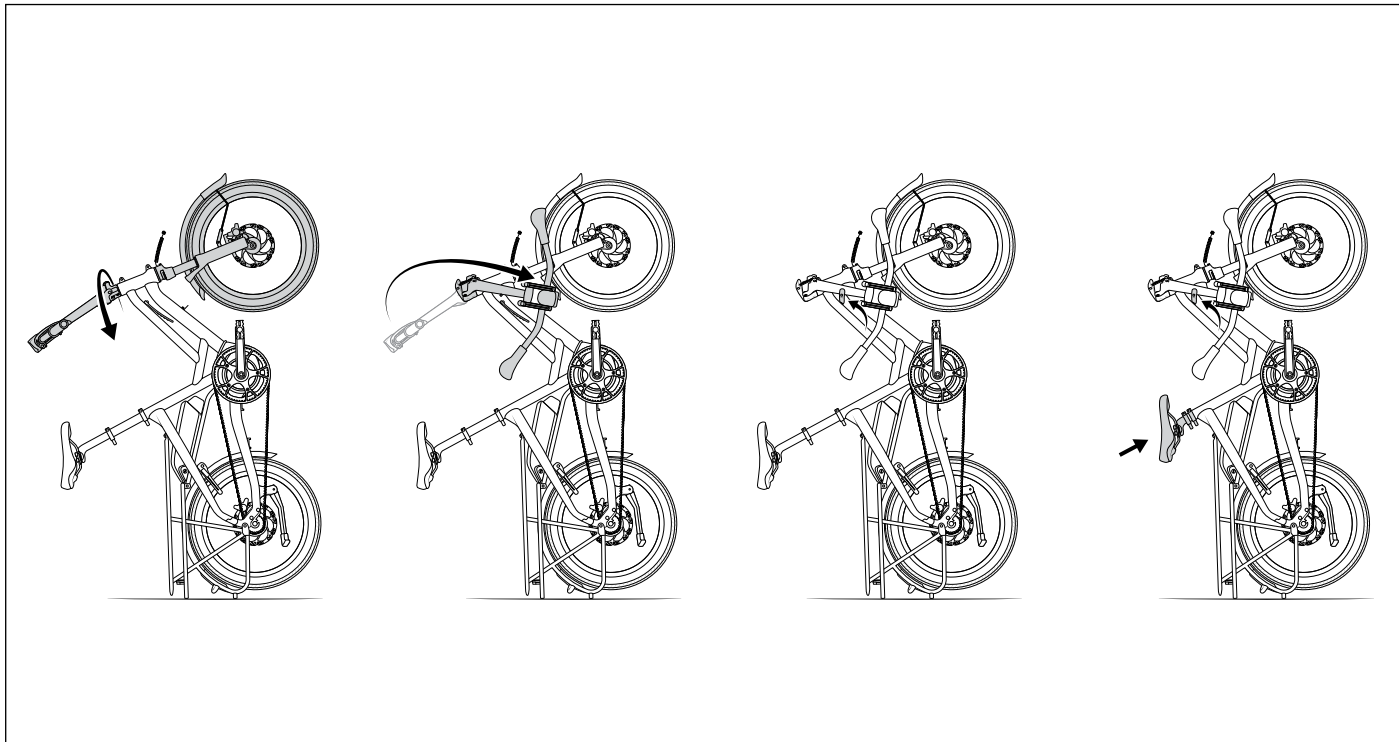
FR

 Assurez-vous que tous
les quatre points de
contact touchent le sol.



 Dans les espaces publics,
tenez le vélo pour éviter qu'il
ne tombe accidentellement.

 Si le vélo stationné
verticalement doit être laissé
sans surveillance, attachez
toujours le vélo à un objet
fixe pour éviter toute chute.



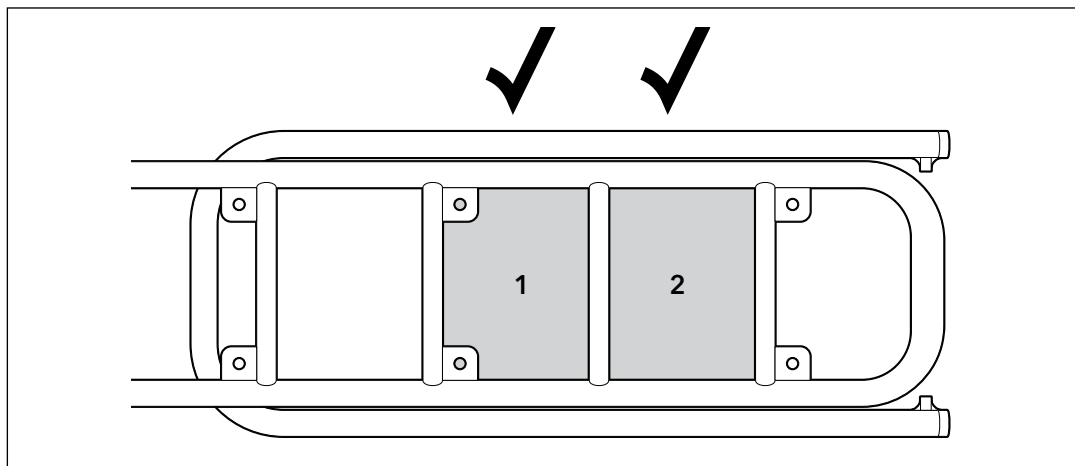
FR

5. Montage du Siège d'enfant

Le porte bagage du HSD est conçu pour monter un seul siège enfant certifié tel le Thule Yepp Maxi ou le Thule Yepp Nexxt Maxi.

En règle générale, placez le siège enfant le plus en avant possible. Assurez vous que le talon du conducteur ait assez d'espace pour ne pas heurter le siège lorsqu'il pédale.

L'emplacement indiqué pour le siège Yepp Maxi est sur la fenêtre 1 du porte bagage. Si le talon heurte le siège, utilisez la fenêtre 2. Le siège Nexxt Maxi peut être monté sur toute la longueur de la fenêtre 1 et 2 le plus en avant que possible.



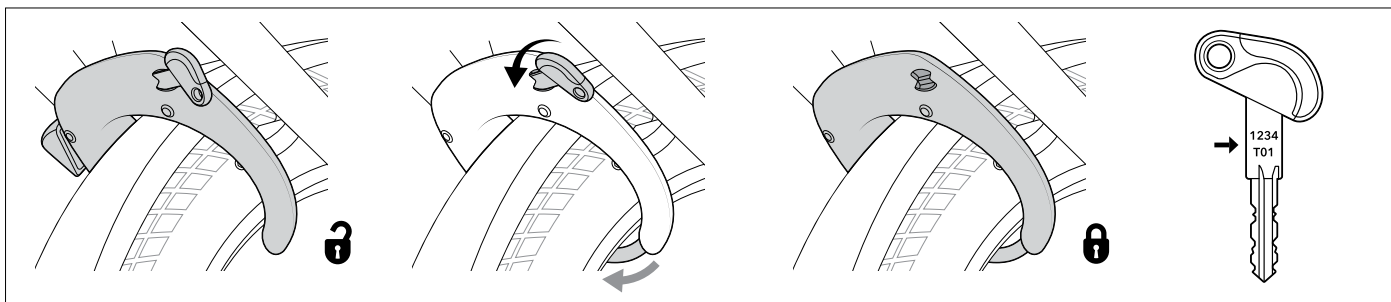
 Suivez les indications fournies par le fabricant du siège enfant.

 N'accélérez pas fort, surtout en montant une côte raide pour éviter de soulever la roue avant du sol.

6. Cadre et verrouillage de la Batterie

Cette section s'applique si votre modèle est équipé d'un antivol de cadre.

- ❗ **Même si les antivols de cadres peuvent prévenir d'une utilisation non autorisée du vélo, l'utilisation d'un second cadenas est fortement recommandée.**
- ❗ **La clé ne peut pas être retirée du cadenas si le cadenas n'est pas verrouillé.**



La même clé fonctionne aussi bien pour le cadenas que la batterie. Le numéro d'identification de la clé est généralement écrit sur une carte donnée avec le cadenas et la clé.

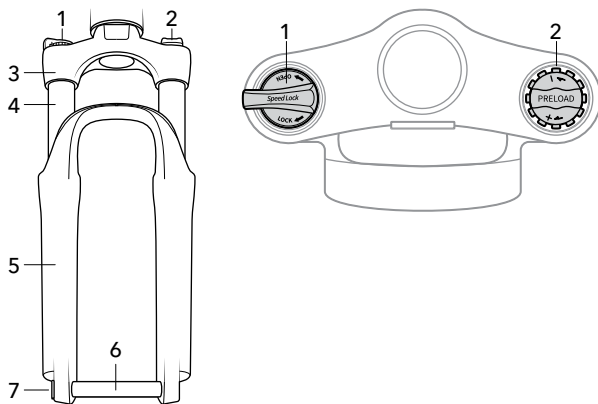
Veuillez noter le numéro d'identification de votre clé et/ou conserver la carte d'identification dans un endroit sûr au cas où vous nécessitez un remplacement de la serrure. Vous ne pouvez peut-être pas récupérer votre serrure si cette information est manquante. Certains fabricants peuvent vous permettre de faire un enregistrement en ligne de votre cadenas pour permettre un meilleur service de remplacement.

Si vous ne pouvez pas retrouver ni votre clé ni votre numéro d'identification, amenez votre HSD à votre revendeur Bosch le plus proche pour qu'il récupère votre numéro d'identification avec le contrôleur Bosch. Notez que cette information n'est pas toujours possible/ disponible.

7. Fourche Suspendue

Nomenclature of Parts

- | | |
|---------------------------------|-------------------------------------|
| 1. Blocage rapide de la fourche | 4. Plongeurs |
| 2. Ajustement de la prétension | 5. Fourreaux |
| 3. Té de fourche | 6. Axe traversant de type thru axle |
| | 7. Capuchon de l'axe |



Si votre HSD est équipé d'une fourche suspendue, il y a deux réglages possibles.

Ajustement de la prétension

- La suspension peut être réglée selon le poids du cycliste et son style de conduite préféré en ajustant la prétension (2).
- Ce bouton met en prétension le ressort en rapport avec le poids du cycliste sur la fourche.
- Tournez le bouton d'ajustement de prétension (2) dans le sens horaire pour augmenter la tension et dans le sens anti-horaire pour le réduire.

Blocage Rapide de la Fourche

- Tournez le bouton de blocage rapide (1) vers la direction fermée LOCK pour bloquer la suspension.
- Vous pouvez vouloir ajuster ceci si vous passez d'une route pavée/ à une route asphaltée ou si vous voulez améliorer votre efficacité de pédalage lors d'une montée.
- Tournez le bouton de blocage rapide (1) vers la direction ouverte OPEN pour activer la suspension.

Dégagement du Pneu

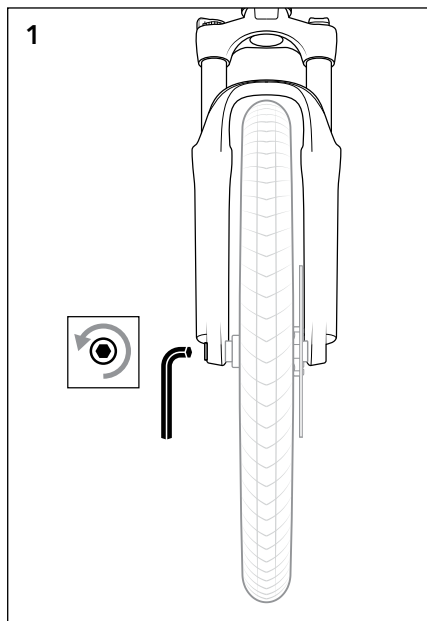
Votre pneu ne doit toucher la fourche sous aucune circonstance.

- ⚠ **Ne changez pas vos pneus pour une plus petite ou une plus grosse section. Un dégagement du pneu inadéquat peut résulter en la perte de contrôle du vélo, des blessures corporelles ou la mort.**

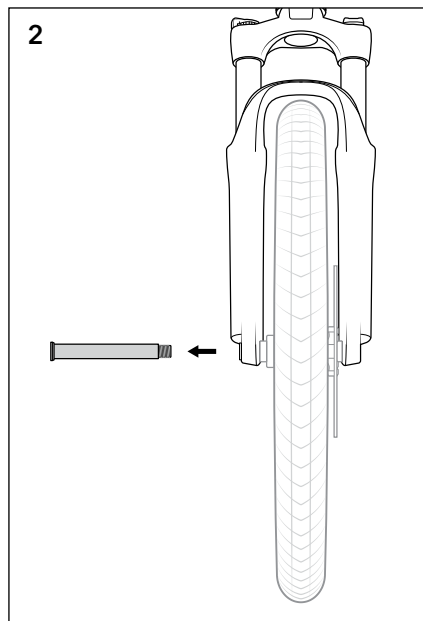
Démontage de la Roue

Le Tern HSD utilise un axe traversant de type Thru-axe pour la roue avant. Cette construction est beaucoup plus solide que les attaches rapides conventionnelles. Pour retirer la roue, il est nécessaire de démonter l'axe traversant.

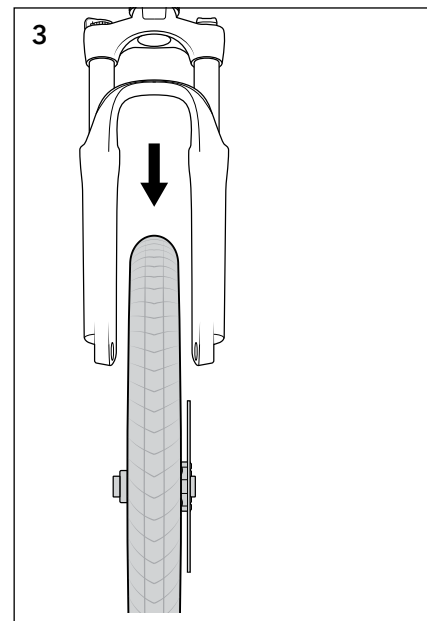
 Outils requis: Clé Allen M5




1
Dévisser le capuchon de l'axe (7) sur le côté de la transmission avec une clé Allen de 5mm.



2
Retirez l'écrou et démontez l'axe.



3
Retirez la roue.

 **N'actionnez pas le frein lorsque la roue est retirée.**

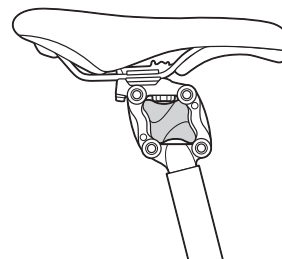
8. Tige de selle Suspendue

Cette partie est pour les modèles équipés d'une tige de selle suspendue Thudbuster ST. Le Thudbuster utilise des élastomères comme élément de suspension dans un parallélogramme où la distance entre la selle et les pédales ne changent jamais.

Choisir un Elastomère

L'élastomère est fait d'une pièce de caoutchouc naturel pour ses caractéristiques d'amortissement et son opération silencieux. Pour identifier la densité d'un élastomère, localisez le numéro sur la petite partie moulée sur le côté. 1 est extrêmement mou, 9 Extra dur et 5 est intermédiaire. Cane Creek offre de nombreux élastomères de remplacement. Le thudbuster doit être dans réglé dans un mode approprié avant d'aller rouler.

Poids du Cycliste		Recommandation Minimum d'élastomère
(Kilograms)	(Livres)	
En dessous de 45	Under 100	Extra Soft - #1
45-64	100-140	Soft - #3
64-86	140-190	Medium - #5
86-114	190-250	Dur - #7
Au dessus de 114	Au dessus de 250	Dépasse la limite de la tige de selle



FR

⚠ Le poids maximal du cycliste autorisé est de 114kg (250 lb). Ne jamais utiliser un élastomère plus mou que celui indiqué pour votre poids.

⚠ Vérifiez périodiquement l'élastomère d'une usure excessive et remplacez le si nécessaire.

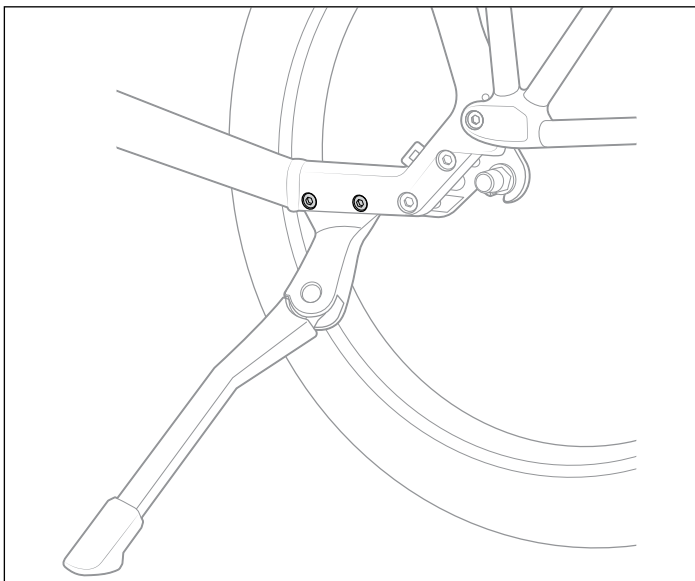
Pour plus de détails sur comment changer l'élastomère, la maintenance et les précautions à suivre, référez vous aux instructions de la Thudbuster fournies avec votre HSD.

9. Montage d'une Remorque

La platine de montage de la bécquille sur les bases arrières a un espacement des vis de 40mm ce qui permet de monter des accessoires pour remorque, tel le kit de couplage Weber EH.

 Suivre les instructions données par le manuel d'utilisateur fourni avec votre remorque.

 Observez les limites de poids et de chargement fourni par le fabricant de votre remorque.



10. Courroie

Cette section s'applique si votre modèle est équipé d'une courroie Gates Carbon Drive.

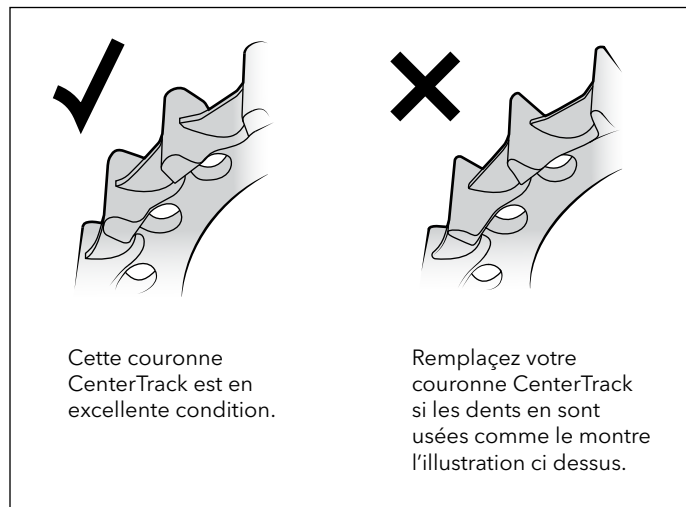
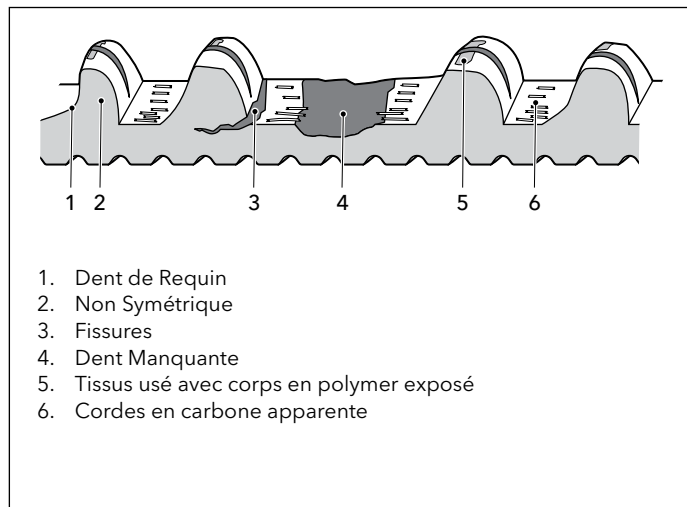
Votre HSD viens avec des pattes réglables qui permettent 20mm d'ajustement. Une fois correctement ajusté, il est possible de retirer et de remettre la roue en conservant toujours la tension parfaite pour la courroie.

La vis de réglage de tension préviens de tout glissement involontaire des pattes réglables vers l'avant.

Inspection Visuelle

Vérifiez périodiquement la courroie et la courronne de l'usure normale. Amenez la à votre revendeur pour un remplacement si les pièces sont usées comme montré ci-dessous.


Source de l'illustration : Gates Technology documents.

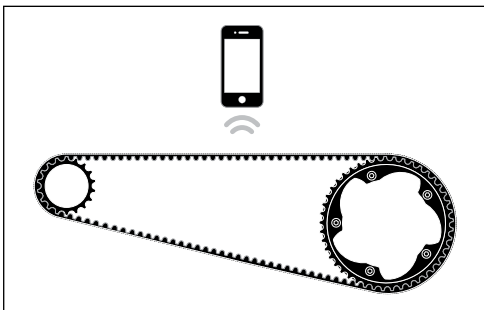


Vérifiez la Tension de la Courroie

Une tension de la courroie correcte est essentielle pour une utilisation optimale. Un manque de tension peut induire le saut d'une dent ou un "glissement" qui apparaît lorsqu'une dent de la courroie glisse au dessus d'une dent du pignon arrière. Trop de tension peut endommager les roulements à billes du moyeu arrière, peut être la cause de frottements, et peut causer l'usure prématurée de votre moteur.

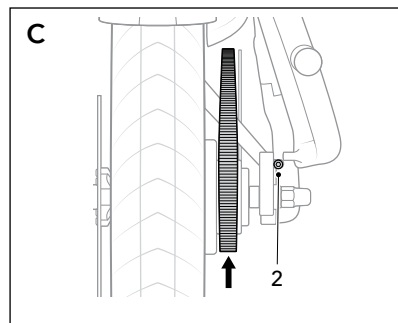
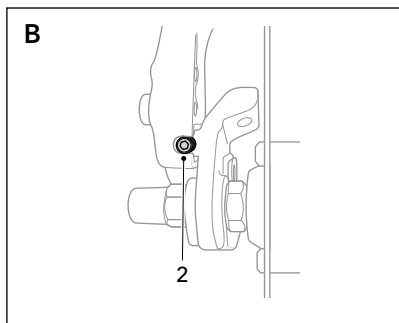
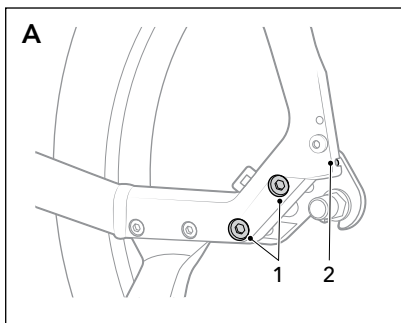
A moins que vous ne disposiez d'un outillage spécial pour mesurer la tension, la meilleure option est d'utiliser l'application Gates Carbon Drive Mobile App, disponible pour Android et Iphone. Cette application mesure la tension de votre courroie par sa fréquence naturelle (Hz) en convertissant le son de vibration en fréquence primaire.


- Sur l'application Carbon Drive, cliquez sur le bouton Fréquence puis sur l'icône de mesure. 



- Tenez votre téléphone près de la courroie.
- Grattez la courroie pour qu'elle vibre comme une corde de guitare. Tournez ensuite la manivelle d'un quart de tour et répétez la mesure de la fréquence. Completez ensuite une révolution complète de la courroie.
- Prenez une moyenne de ces enregistrements. Environ 15Hz de modulation par variation est considéré acceptable.
- Pour votre HSD, la mesure moyenne enregistrée doit être de 35 à 50 Hz.

Ajustement de la Tension de la Courroie



 Outils requis: Clé Allen M3 et M6

Etapes:

A. Dévissez mais ne retirez pas les vis (1) des Pattes réglables.


B. Ajustement de la tension

- Pour augmenter la tension, tournez la vis de tension (2) dans le sens horaire pour augmenter la distance des bases arrière. Opérez du même ajustement sur le côté opposé pour que les deux pattes maintiennent un alignement identique.
- Pour diminuer la tension, tournez la vis de tension (2) dans le sens anti-horaire pour réduire la distance des bases arrière. Opérez du même ajustement sur le côté opposé pour que les deux pattes maintiennent un alignement identique. Poussez la roue arrière vers l'avant jusqu'à ce que la vis de tension butte contre le cadre.

C. Vérifiez que la courroie soit alignée et que la roue soit centrée avec le cadre.

D. Serrez les vis des Pattes réglables à un couple de 25 Nm.

 Si vous n'êtes pas apte à réaliser une telle opération mécanique, veuillez laisser votre revendeur ajuster la tension pour vous.

 Pour plus d'informations, résolutions de problèmes ou de précautions à prendre, veuillez consulter le mode d'emploi des courroies Gates.

11. Enviolo AUTOMATIQ

Pour les modèles équipés du système de transmission de moyeu automatique Enviolo AUTOMATIQ, les contrôles sont intégrés dans l'unité Bosch Intuvia. Ce qui retire le besoin d'avoir un shifter additionnel sur le guidon.

Passage de Vitesse

Passage Automatique des Vitesse

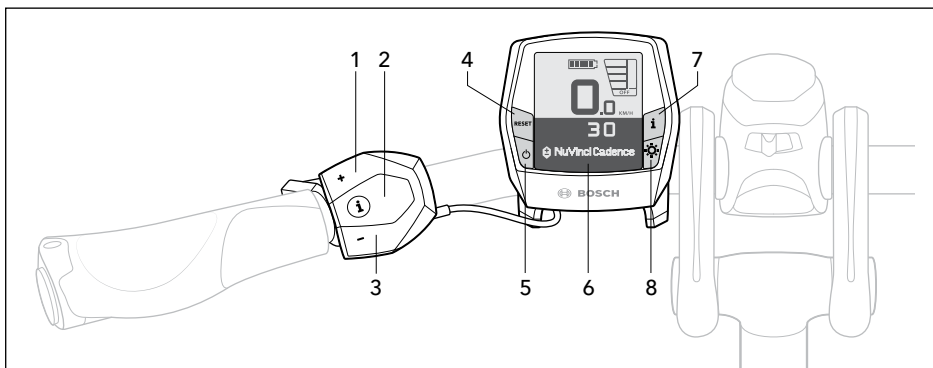
Appuyez sur le bouton d'information (2) ou (7) jusqu'à ce que l'écran (6) affiche "NuVinci Cadence" appuyez sur + (1) ou - (3) pour choisir votre cadence préférée. La transmission est automatiquement contrôlée pour que vous puissiez toujours pédaler à la même cadence peu importe le terrain.

Transmission Manuelle

Faites une longue pression sur le bouton d'information (2) ou (7) jusqu'à ce que l'écran (6) n'indique "Nuvinci Gear". Appuyez sur + (1) ou - (3) pour choisir votre vitesse préférée.

Niveau d'assistance du Moteur

Appuyez sur le bouton d'information (2) ou (7) jusqu'à ce que l'écran (6) n'affiche PAS "NuVinci Cadence" ou "Nuvinci Gear" appuyez sur + (1) ou - (3) pour choisir votre niveau d'assistance voulu.



Appli Enviolo

- Configurer et mettre à jour son application peut être fait en utilisant l'application Enviolo app via une connection Bluetooth. Veuillez visiter votre Iphone ou Androide App store pour télécharger l'application pour votre téléphone.
- Une fois l'appariement bluetooth fait vous serez automatiquement invité à mettre à jour votre logiciel si une nouvelle version existe.
- Suivez les instruction sur l'écran pour mettre à jour votre logiciel.

Nettoyage

- Vos composants Enviolo sont scellés et correctement protégés de l'environnement extérieur. Toutefois, n'utilisez pas d'eau sous pression (tel un nettoyeur haute pression ou des jets d'eau) pour nettoyer vos composants pour prévenir de tout mauvais fonctionnement dû à une infiltration d'eau.
- En hiver, vous devez fréquemment nettoyer votre vélo pour que sel épandu sur le sol ne cause pas de dommages.
- N'utilisez pas de produits de nettoyage agresifs.

Lubrification

- Les Moyeux à vitesse intégrés Enviolo sont fournis avec une lubrification permanente et l'intérieur du moyeu est prévu sans entretien pour toute la durée de vie du produit.
- Les parties internes de la roue libre peuvent être entretenues.

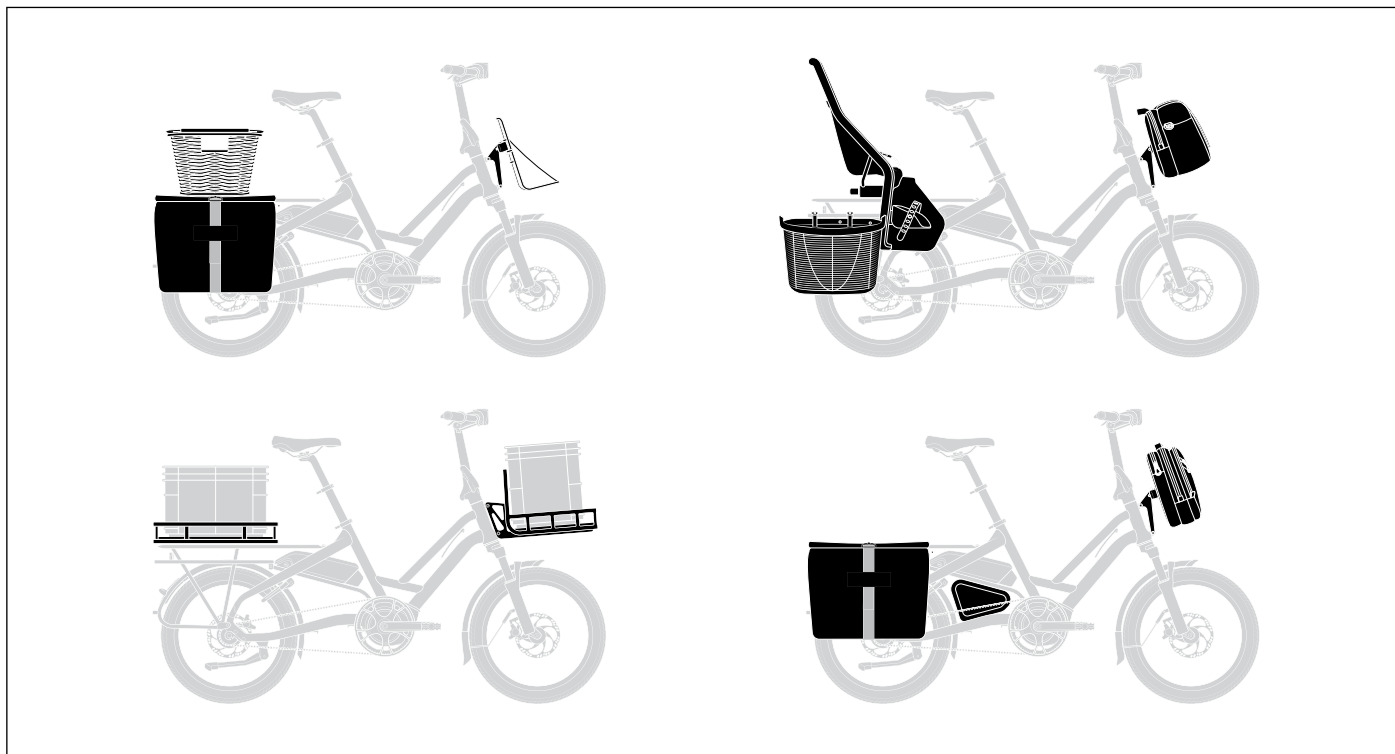
Stockage

- Ne stockez pas vos composants enviolo dans des températures en dessous de -20°C ou au dessus de 48°C.

12. Accessoires pour le HSD

Une gamme complète d'accessoires est disponible pour le HSD.

Veillez visiter le site ternbicycles.com/hsd pour en apprendre plus sur les derniers accessoires disponibles pour le HSD.



Contenuti

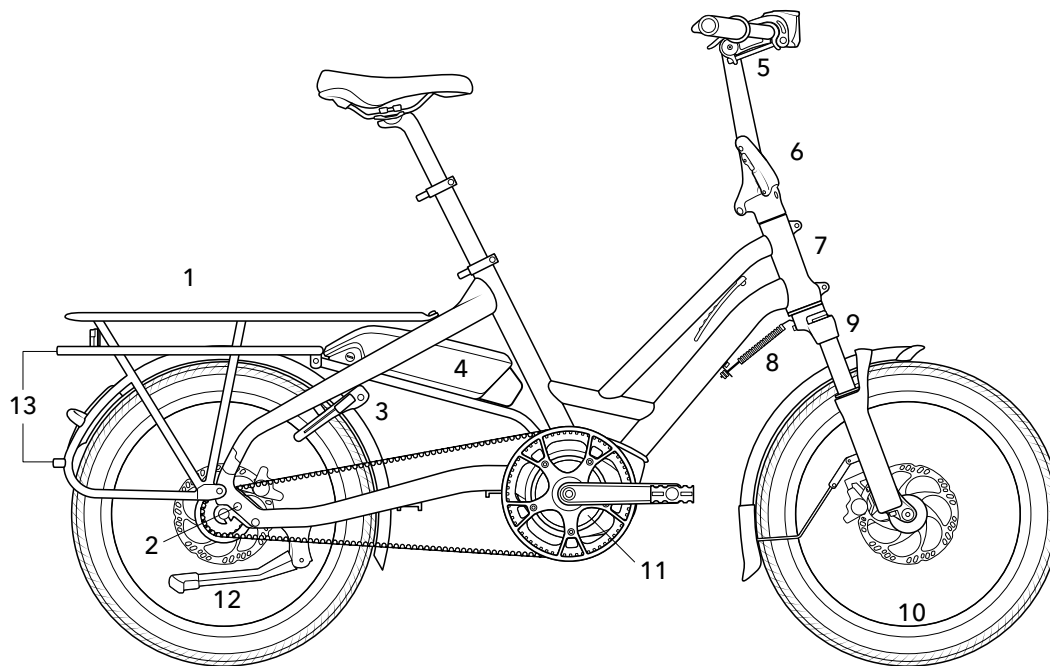
1. Informazioni Generali	75	Luce del Pneumatico	88
Significato delle icone.....	76	Luce del Pneumatico	88
Modalità d'uso della bicicletta.....	76	Rimozione della Ruota	89
2. Carichi Ammessi	77	8. Reggisella Ammortizzato	90
Limiti di carico della HSD	77	Selezione degli Elastomeri	90
Limite di Carico del Cavalletto.....	78	9. Montaggio di un Carrello.....	91
Limiti di Carico Degli Attacchi		10. Trasmissione a Cinghia	92
al Telaio Degli Accessori.....	78	Ispezione Visiva	92
Raccomandazioni per un		Verifica della Tensione della Cinghia	93
utilizzo sicuro e felice:.....	79	Procedura per Regolare la	
Considerazioni sui passeggeri.....	80	Tensione della Cinghia.....	94
Salire e scendere dalla bicicletta	80	11. Enviolo AUTOMATiQ	95
3. Piegare la Bicicletta Piatta.....	81	Cambiare Velocità	95
4. Stazionamento Verticale.....	84	App Enviolo.....	96
5. Montaggio di Seggiolini per Bambini.....	86	Pulizia	96
6. Bloccaggio del Telaio e della Batteria.....	87	Lubrificazione.....	96
7. Forcella Ammortizzata	88	Ricovero	96
Regolazione del Precarico	88	12. Accessori per la HSD.....	97
Regolazione Speed Lock	88		

1. Informazioni Generali

Congratulazioni per l'acquisto della TERN HSD, una grande ma piccola bicicletta facile da usare, condividere e che trasporta un sacco di carico. Per la maggioranza dei ciclisti, la HSD è la soluzione giusta per muoversi in bici.

Nomenclatura delle Parti

1. Portapacchi Atlas H
2. Forcellini Atlas H
3. Lucchetto al telaio
4. Batteria
5. Attacco manubrio Andros
6. Piantone Physis
7. Combo Mount
8. Stabilizzatore della ruota
9. Forcella
10. Ruote Atlas
11. Unità Motore
12. Cavalletto
13. Punti di contatto per il stazionamento verticale



Significato delle Icone



Indica come usare il prodotto o parti che richiedono un'attenzione supplementare.



Il non seguire le istruzioni può dare luogo a ferite non letali.



Un'azione non corretta potrebbe dare luogo ad un danno al prodotto.



Occorre utilizzare gli strumenti corretti, come una chiave dinamometrica, per le parti che richiedono una coppia di serraggio specifica. Una coppia di serraggio eccessivamente alta o troppo bassa può dare origine alla rottura del componente e dare origine a incidenti seri e pericolosi.



Si corre pericolo di vita se non si seguono le istruzioni o se non si seguono misure preventive.

Modalità d'uso della Bicicletta

La HSD è progettata per trasportare fino a due persone con entrambe le ruote in contatto con l'asfalto o con la strada sterrata. Non è pensata per fare gare, salti, acrobazie o simili.

 **Non seguire la modalità d'uso appena descritta può comportare ferimenti molto gravi.**

Il produttore e il rivenditore non sono responsabili per nessuna conseguenza derivata da un uso improprio della bicicletta.

La garanzia sarà nulla se la HSD non sarà utilizzata in accordo con la modalità d'uso suggerita. Riferirsi alla garanzia della HSD contenuta nella scatola per gli aspetti specifici.

2. Carichi Ammessi

La TERN HSD è progettata per trasportare carichi. Oltre a rispettare la norma RN15194 per le e-bike standard, la HSD ha superato ulteriori test per garantire la sua capacità di trasportare fino a 60 kg di carico. Il carico posteriore può essere un bambino su un seggiolino a norma o borse posteriori e cestini o una combinazione degli stessi. Ad ogni modo ci sono restrizioni e considerazione per la modalità di carico della HSD in modo da massimizzare il confort e la stabilità della bici.

⚠ Il carico totale, escluso il ciclista, non deve superare i 60 kg.

Limiti di carico della HSD:

- Il peso del ciclista non deve superare i 120 kg quando si usa il reggisella ammortizzato. Se la tua HSD è equipaggiata con il reggisella ammortizzato, occorre fare riferimento ai limiti imposti dal produttore del reggisella ammortizzato stesso.
- Il massimo carico ammesso sulla HSD è di 170 kg includendo il ciclista, gli eventuali passeggeri, gli accessori e il carico.
- Il massimo carico ammesso su ciascun pneumatico non deve superare i 95 kg quando il pneumatico è gonfiato al massimo (4.5 bar). Sovra caricare o non gonfiare adeguatamente il pneumatico può comportare un'usura accelerata del pneumatico. All'incirca il 65% del peso dovrebbe essere caricato sulla ruota posteriore.
- Il peso massimo del passeggero è limitato a 60 kg.

⚠ La HSD non è pensata per trasportare passeggeri di peso elevato. Osserva i limiti di carico e non sovraccaricare.

Peso del Ciclista (kg)	50	60	70	80	90	100	110	120
Peso del Carico (kg)*	60**	60**	60**	60	50	40	30	20
Peso del Ciclista (lb)	110	132	154	176	198	220	243	265
Peso del Carico (lb)*	132**	132**	132**	132	109	87	65	43

ⓘ I valori sono ricavati sulla media di un peso del veicolo di 30kg, inclusi i portapacchi e le borse.


ⓘ * Assicurati di seguire le limitazioni e le raccomandazioni circa il peso massimo e le modalità di carico. Il peso totale è limitato dal peso massimo sopportabile da ciascun pneumatico con il 60% del peso (all'incirca) caricato sul pneumatico posteriore.

ⓘ **Eccede l'80% del peso del ciclista come descritto a pagina 79. Trasporta solo ciò che ti senti comodo a trasportare.

Limite di Carico del Cavalletto:


A meno di altre indicazioni, il cavalletto posteriore ha una portata di 25kg. Quando il cavalletto è abbassato il peso della HSD è distribuito tra le due ruote e il cavaletto. Segui queste regole indicative:

- Il cavalletto è progettato per carichi leggeri.
- Il cavalletto non è pensato per sostenere la HSD caricata completamente.
- Se devi trasportare un passeggero, tieni la HSD in modo da ridurre il carico sul cavalletto durante le operazioni di salita e discesa del passeggero.

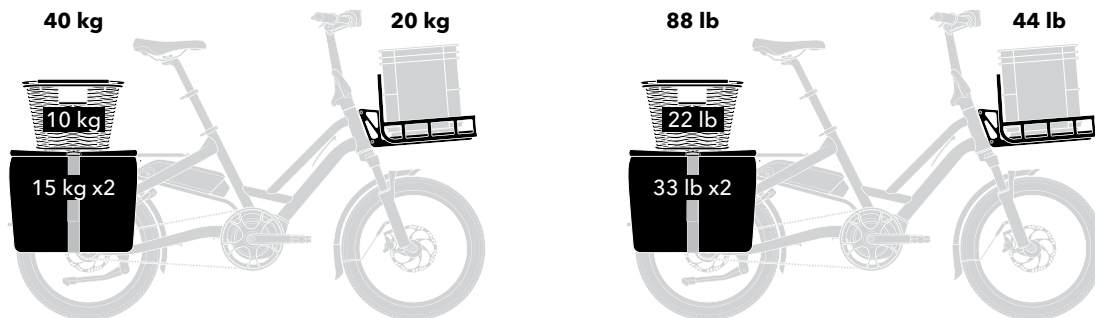
 **Non permettere mai ai bambini di salire da soli sulla HSD anche se il cavalletto è abbassato a meno che un adulto non stia tenendo la bici.**

Limiti di Carico Degli Attacchi al Telaio Degli Accessori:

- Il massimo carico del combo mount (sul tubo sterzo) è di 20 kg.
- Il carico massimo su poggiatesta, se installati, è di 25 kg su ciascun lato.
- Il massimo carico ammesso sul piano del portapacchi posteriore è di 50 kg.
- Il massimo carico ammesso su ciascun lato del portapacchi posteriore è di 20kg. Mantieni il carico bilanciato tra i due lati per una stabilità ottimale.
- Alcuni accessori possono avere un carico massimo ammesso inferiore al punto di attacco al telaio dell'accessorio stesso. Riferisciti sempre al manuale dell'accessorio per determinare il massimo carico.

 **I limiti di carico riguardano le singole aree di carico. Il carico totale non deve superare i 60 kg.**

Esempio di trasporto del calico Sulla HSD



Raccomandazioni per un Utilizzo Sicuro e Felice:

- **Verifica la legislazione locale:** alcuni paesi non permettono il trasporto di passeggeri sulla bicicletta. Altri richiedono che siano installati accessori specifici per farlo in modo legale.
- **Verifica lo stato di buona salute dei passeggeri:** Queste sono linee guida generali. Come sempre, devi valutare se il passeggero è forte abbastanza abbastanza vigile per essere trasportato come passeggero su una bicicletta.
- **Handling:** la maggior parte dei ciclisti può trasportare l'80% del proprio peso in modo comodo. Prima di trasportare un carico verifica la tua capacità di trasportare il carico ed eventualmente riduci o aumenta il carico.
- **Pratica, pratica, pratica:** la massa del ciclista e la sua forza influenzano la facilità di guida di una bicicletta carica. Pratica sempre la guida della bici in un posto aperto, senza macchine prima di trasportare un passeggero.
- **Tipologia di fondo stradale:** la HSD deve essere usata solo su strade asfaltate o strade sterrate mantenute in buono stato.
- **Carico:** Posiziona il carico il più in basso possibile e assicuralo in modo fermo al telaio della HSD. Carichi posizionati in modo lasco possono compromettere la stabilità della bici e mettere te e gli altri in pericolo.
- **Presta Attenzione:** non guidare mai la bici senza mani. Non usare mai un telefono o uno smartphone quando stai pedalando.

Considerazioni sul Passeggero:


Per trasportare in modo sicuro un passeggero, assicurati che la HSD sia equipaggiata con gli accessori opportuni e che siano installati correttamente.

- **Pozione appropriata:** il solo posto per trasportare un passeggero dovrebbe essere il portapacchi posteriore. Nessun'altra posizione è consentita.
- **Seduta appropriata:** Per i bambini sotto i 6 anni usa sempre un seggiolino a norma. Il Thule Yepp Maxi e il Nexxt sono stati provati e approvati per essere usati con la HSD. Per bambini più grandi e per adulti di peso inferiore ai 60kg, installa un cuscino a protezione delle sconessioni del terreno.
- **Un paio di poggiapiedi:** Entrambi i piedi del passeggero posteriori devono stare su una superficie piatta durante il trasporto. I poggiapiedi sono da utilizzare solo per fare appoggiare i piedi al passeggero seduto. Stare in posizione eretta appoggiati i piedi sui poggiapiedi è pericoloso e può causare un danneggiamento del telaio.
- **Maniglie:** assicurati che i passeggeri abbiano qualcosa a cui tenersi aggrappati durante il percorso. Ogni volta che la HSD è in movimento il passeggero, se non seduto su un seggiolino per bambini, deve tenersi a qualche cosa di fisso come il TERN Sde kick Bars.
- **Protezioni per i piedi e le gambe:** Installa le Wheel Guards o le borse Cargo Panniers 37 su entrambi i lati della bici per evitare che i piedi dei passeggeri possano toccare la ruota in movimento.
- **Indossa un casco:** tutti i passeggeri dovrebbero indossare un casco a norma.
- **Verifica che i passeggeri non abbiano cinghie a penzoloni o indumenti che possano rimanere impigliati:** verifica gonne, pantaloni, stringhe o altro possano impigliarsi quando la bici è in movimento.

⚠ **Nonostante il telaio ed il portapacchi della HSD siano robusti, non sono pensati per trasportare passeggeri di peso superiore ai 60 kg.**

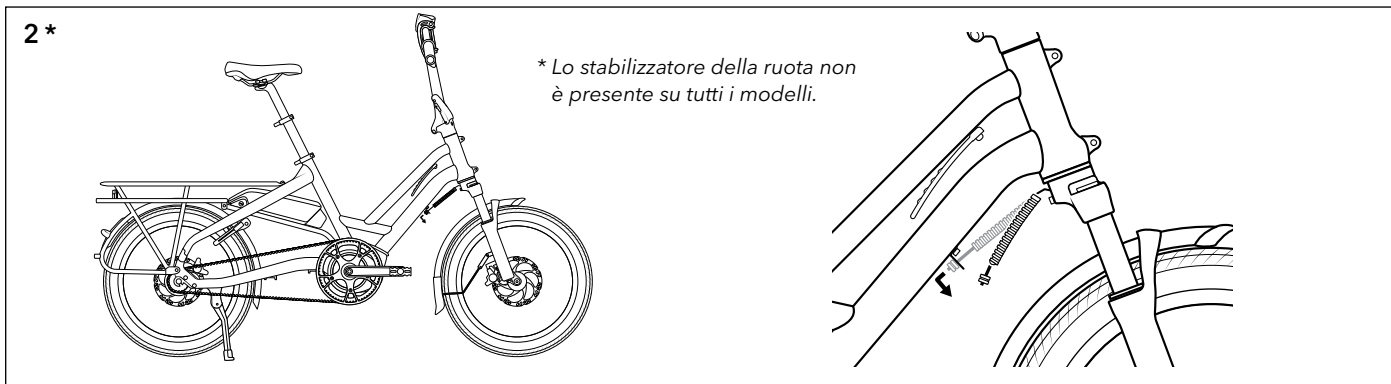
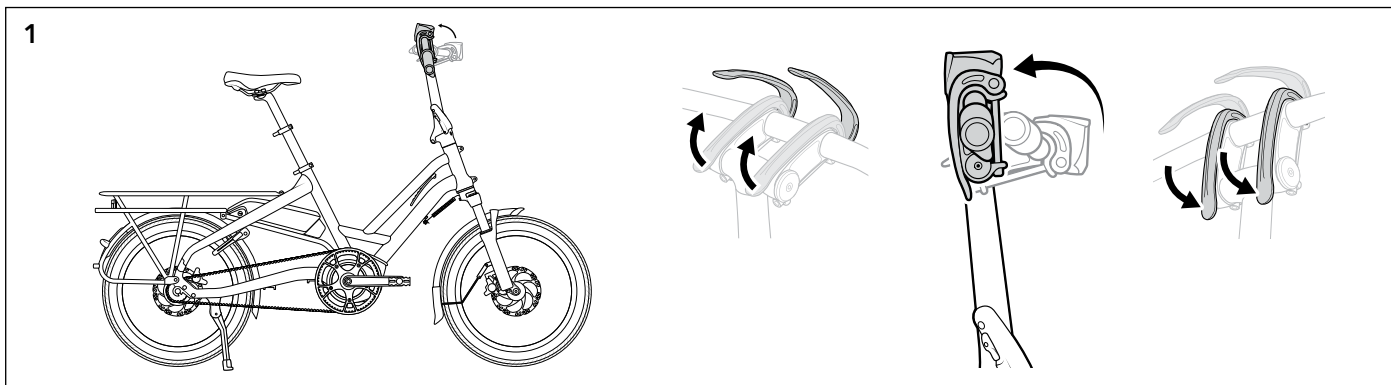
Salire e Scendere dalla Bicicletta

- Quando un bambino o un adulto stanno salendo sul portapacchi posteriore, tieni sempre la bicicletta. Non permettere mai ad un bambino di salire sulla bicicletta da solo a meno che non ci sia un adulto che stia tenendo stabilmente la bicicletta.
- Posiziona la bici sul cavalletto per allacciare le cinture di sicurezza del seggiolino. Il cavalletto manterrà la bicicletta stabile e ti permetterà di utilizzare due mani per allacciare le cinture di sicurezza del seggiolino.

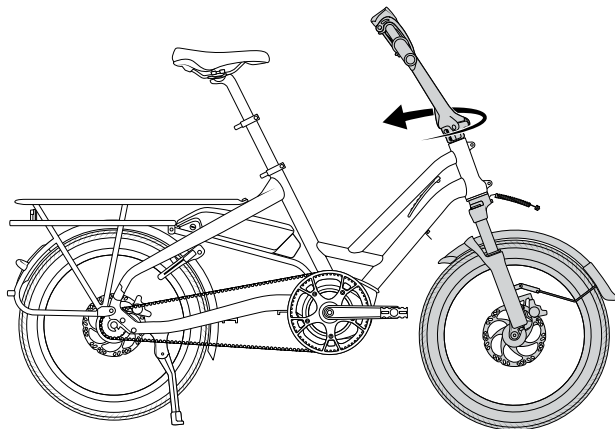
 **Non lasciare mai un bambino da solo, seduto sul seggiolino anche se la bicicletta è posizionata sul cavalletto. Il movimento del bambino può compromettere la stabilità della bici e una caduta può causare ferimenti gravi al bambino.**

3. Piegare la Bicicletta Piatta

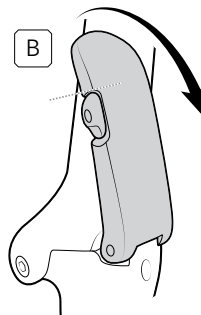
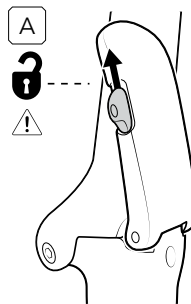
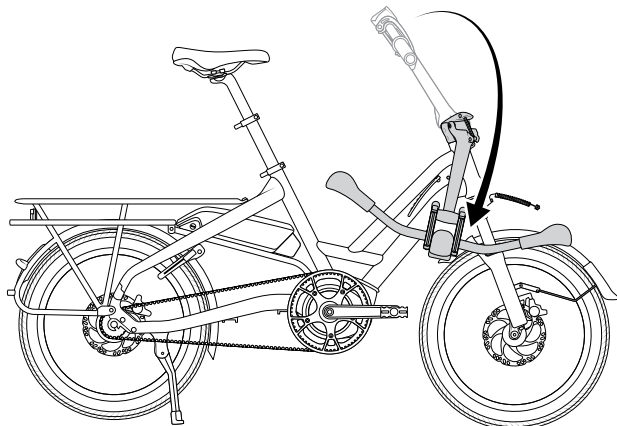
La TERN HSD può essere piegata piatta per ridurre le dimensioni della bici stessa. Fai in questo modo:



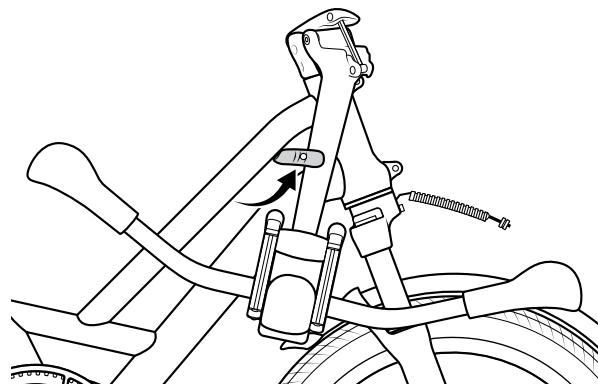
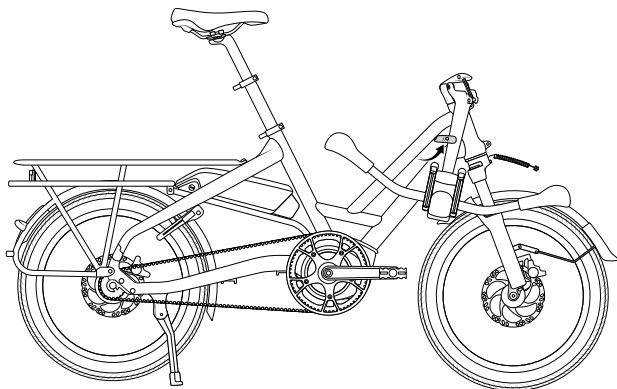
3



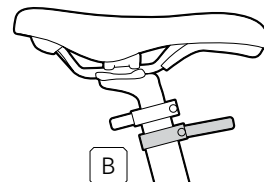
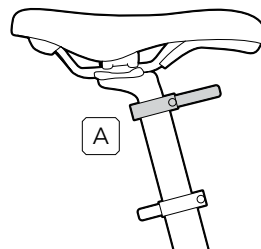
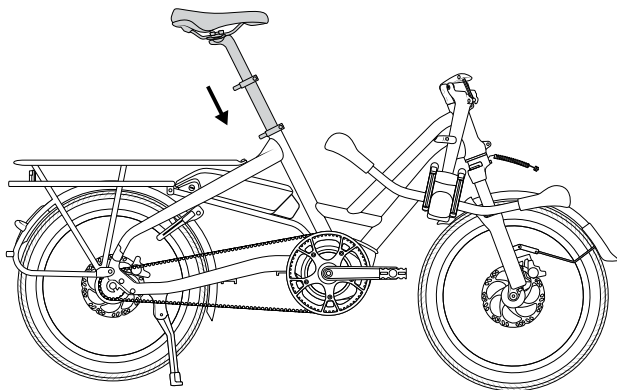
4



5



6

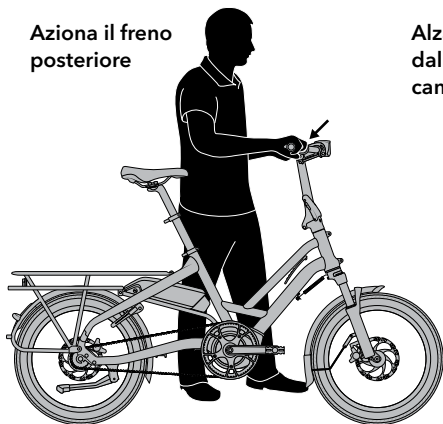


IT

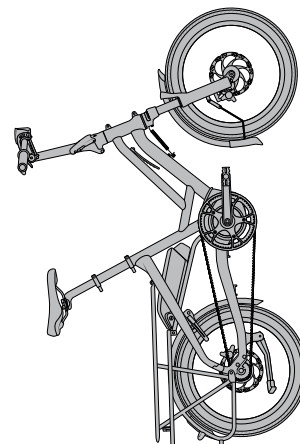
4. Stazionamento Verticale


La TERN HSD è progettata per essere parcheggiata in verticale usando i 4 punti di contatto del portapacchi posteriore. In questa configurazione la bicicletta occupa una piccola area a terra, utile in spazi stretti come un'ascensore o uno sgabuzzino.

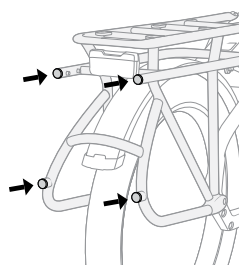
Aziona il freno posteriore




Alza la bici tirando dal manubrio e cammina all'indietro

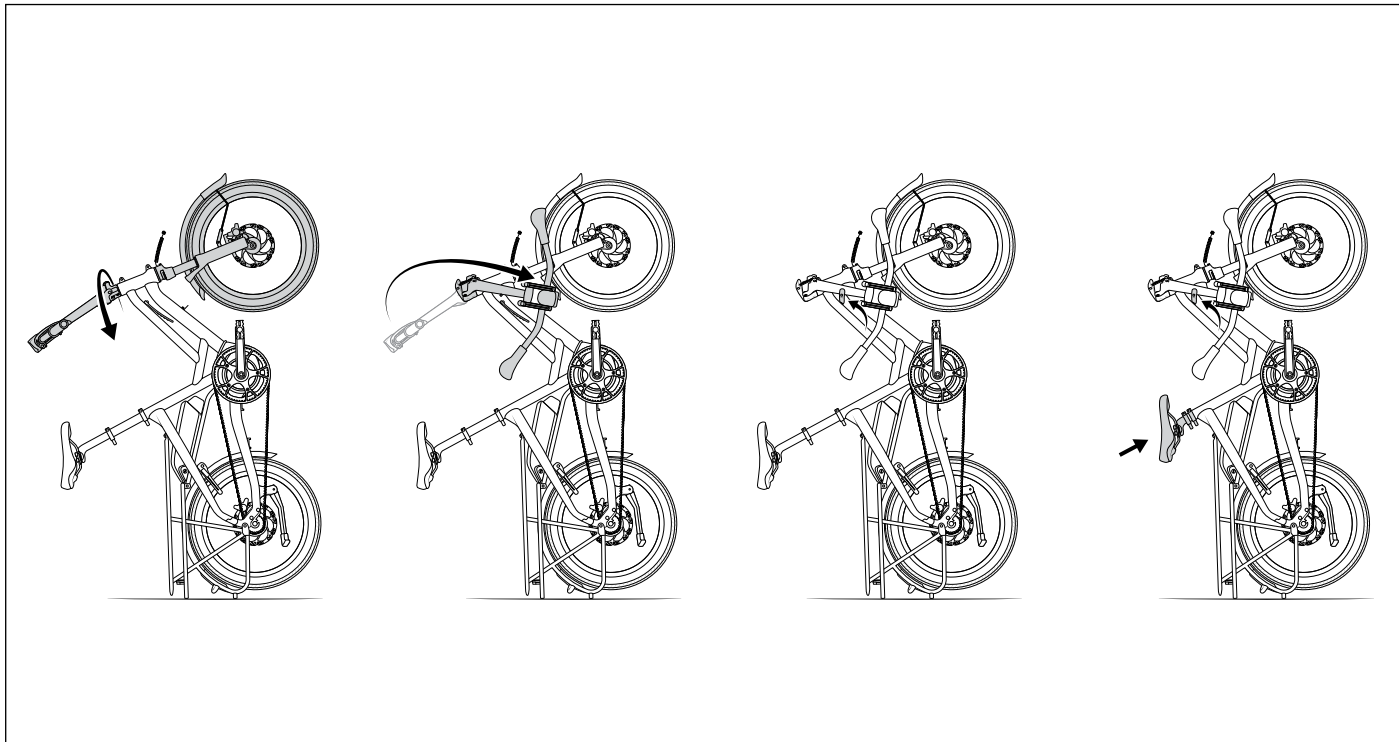


 Fai in modo che la bicicletta appoggi su tutti i e quattro i piedini del portapacchi



 In aree pubbliche, tieni la bicicletta in modo da prevenire cadute accidentali.

 Se devi lasciare la bicicletta in posizione verticale, vincola sempre la bicicletta ad un oggetto fisso per prevenire la caduta della stessa.



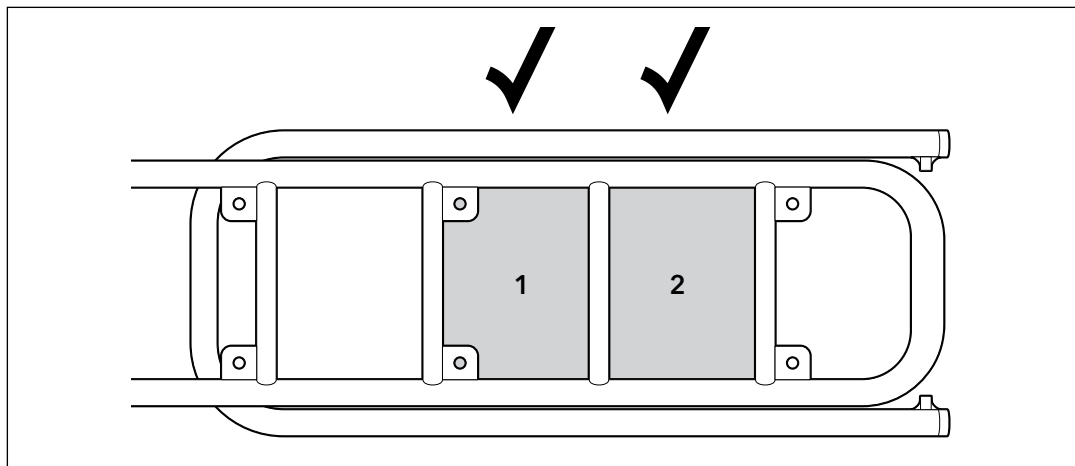
IT

5. Montaggio di Seggiolini per Bambini



Il portapacchi della HSD è progettato per accogliere un solo seggiolino per bambini a norma, come il Thule Yepp Maxi o il Thule Yepp Nexxt Maxi.

Come regola generale, posiziona il seggiolino il più avanti possibile. Assicurati che i talloni del ciclista non interferiscano con il seggiolino installato durante la pedalata.

La posizione preferibile per il posizionamento del seggiolino Yepp Maxi è la finestra 1 sul telaio. Se i talloni toccano il seggiolino utilizza la finestra 2. Il seggiolino Nexxt Maxi può essere installato tra la finestra 1 e 2 in una posizione la più avanzata possibile.



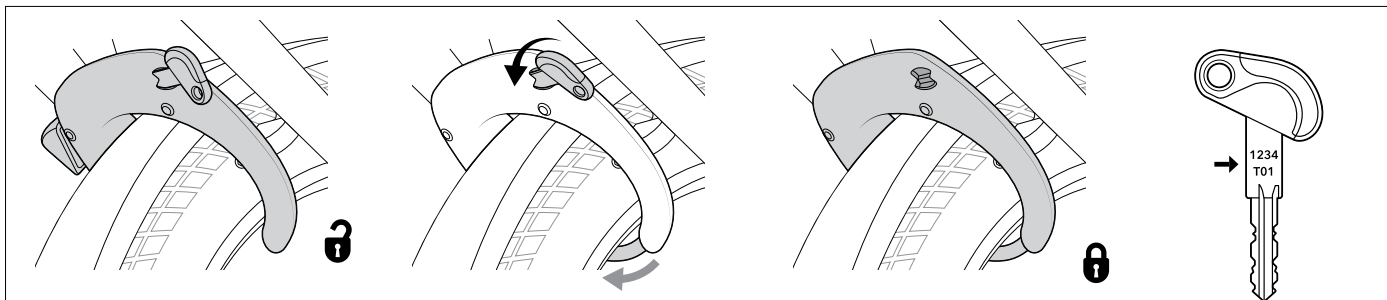
IT

-  Segui le istruzioni di montaggio del produttore del seggiolino.
-  Non accelerare molto, specialmente quando vai lungo una salita per evitare che la ruota anteriore si alzi.

6. Lucchetto per il Telaio e per la Batteria

Questa sezione è di tuo interesse se la tua HSD è equipaggiata con un lucchetto sul telaio.

- ❗ I lucchetti sul telaio proteggono da un uso non autorizzato della bicicletta. Per proteggere la bicicletta dal furto raccomandiamo di usare un secondo lucchetto.
- ❗ La chiave non può essere rimossa se il lucchetto del telaio è aperto.



La stessa chiave apre sia il lucchetto che la serratura della batteria. Il codice della chiave è scritto su una tessera fornita insieme al lucchetto e alla chiave stessa.

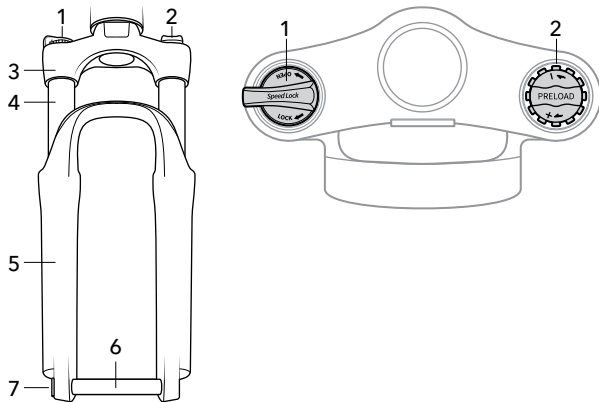
Assicuratevi di scrivere il codice della chiave e di metterlo in un luogo sicuro se dovesse esserci la necessità di ordinare un duplicato. Potreste non essere in grado di ottenere un duplicato in assenza di questa informazione. Certi produttori di lucchetti e serrature permettono di registrarsi on line per fornire un migliore servizio in caso di ordine di un duplicato.

Nel caso in cui sei impossibilitato a trovare la tua chiave e codice della chiave, puoi portare la tua HSD presso un dealer locale e ottenere il codice della chiave dal controller Bosch. Nota che questa informazione non è sempre ricavabile.

7. Forcella Ammortizzata

Nomenclatura delle Parti

- | | |
|---------------------------|----------------------------|
| 1. Regolazione Speed Lock | 5. Stelo inferiore |
| 2. Regolazione Precarico | 6. Asse passante |
| 3. Corona | 7. Dado dell'asse passante |
| 4. Stelo | |



Regolazione del Precarico

- La sospensione può essere regolata in relazione al peso del ciclista e del stile di guida attraverso la regolazione di precarico.
- L'indicatore definisce la compressione della molla della forcella in relazione al peso del ciclista.
- Gira il pomello di regolazione del precarico in senso orario per incrementare la compressione della molla e giralo in senso antiorario per ridurlo.

Regolazione Speed Lock

- Gira il pomello di regolazione Speed Lock nella posizione Lock per bloccare la forcella.
- Puoi scegliere questa regolazione quando pedali su un fondo stradale liscio o per migliorare l'efficienza di pedalata in salita.
- Gira il pomello di regolazione Speed Lock nella posizione OPEN per consentire l'azione della sospensione.

Luce del Pneumatico


Il pneumatico non dovrebbe toccare la forcella.

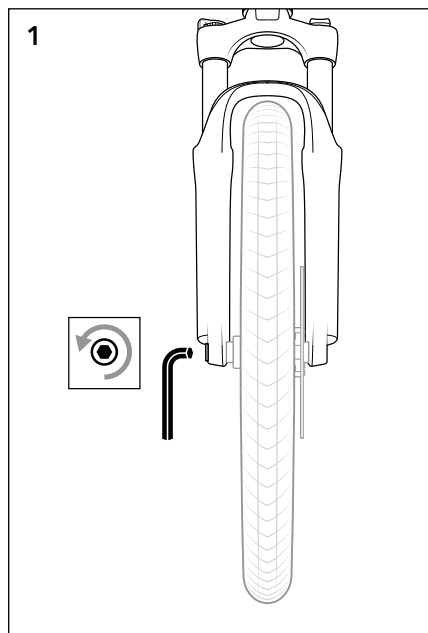
⚠ Non sostituire i pneumatici con pneumatici di taglia più piccola o più grande. Una luce del pneumatico inadeguata può risultare in una perdita di controllo della bici con conseguente ferimento o morte.

IT Se la tua HSD è equipaggiata con la forcella ammortizzata ci sono due regolazioni disponibili.

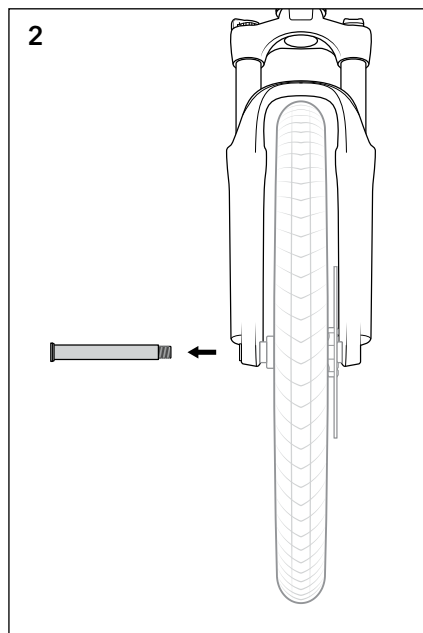
Rimozione della Ruota

La Tern HSD utilizza assi passanti per la ruota anteriore. Questa scelta è molto più robusta dei convenzionali sganci rapidi. Per togliere la ruota dal telaio è necessario sfilare l'asse passante.

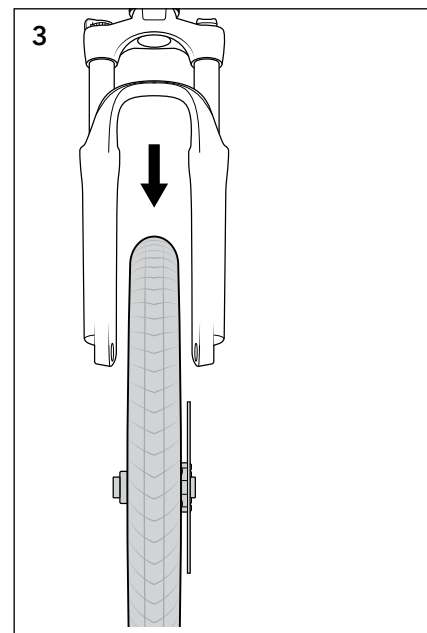
 **Attrezzi richiesti: Chiave a Brugola M5**




1 Allenta il dado dell'asse passante (7) sul lato della trasmissione con una chiave a brugola da 5mm



2 Rimuovere il dado e tirare l'asse.



3 Rimuovi la ruota

 **Non utilizzare il freno quando la ruota è smontata.**

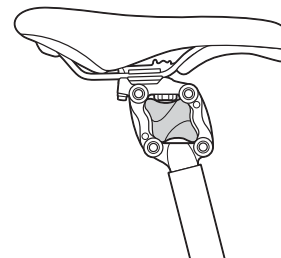
8. Reggisella Ammortizzato

Questa sezione riguarda solo i modelli equipaggiati con reggisella Thudbuster ST. Il reggisella Thudbuster usa elastomeri come sospensioni all'interno di un paralelogramma che permette di non far variare la distanza tra sella e pedali.


Scelta degli Elastomeri

L'elastomero è realizzato in gomma naturale garantendo una buona capacità di ammortizzazione e un funzionamento silenzioso. Per identificare la rigidità dell'elastomero, osserva il numero riportato sull'elastomero, 1 è per extra morbido e 9 è per super rigido e 5 è medio. Cane Creek offre diversi elastomeri in caso di eccèsità di sostituzione. Il reggisella Thudbuster deve essere registrato prima di utilizzare la bicicletta.

Peso del Ciclista		Raccomandazione Minima per la Scelta Dell'elastomero
(Chilogrammi)	(Libbre)	
Inferiore a 45	Inferiore a 100	Extra Morbido #1
45-64	100-140	Morbido #3
64-86	140-190	Medio #5
86-114	190-250	Duro #7
Oltre 114	Oltre 250	Eccede i Limiti del Reggisella



 Il peso massimo del ciclista è fissato in 114 kg. Non usare mai un elastomero più morbido di quello suggerito per il tuo peso.

 Periodicamente verifica che l'elastomero non sia usurato eccessivamente e sostituiscilo se necessario.

IT

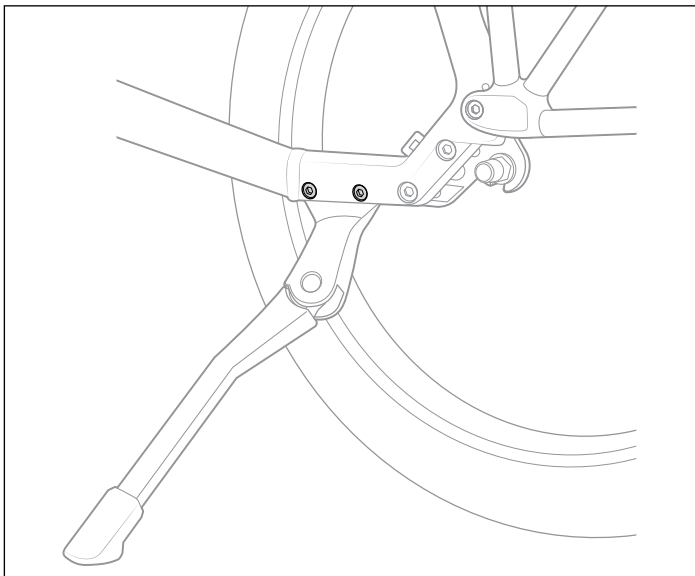
Per i dettagli su come sostituire l'elastomero, sulla sua manutenzione e sulle precauzioni d'uso, fai riferimento alle istruzioni d'uso del reggisella Thudbuster consegnate con la tua HSD.

9. Montaggio di un Rimorchio

Il supporto per il cavalletto posto sul carro posteriore ha un'interasse di 40mm ed è compatibile con rimorchi disponibili sul mercato come il Weber EH.

 Segui le istruzioni fornite con il manuale del proprietario del carrello.

 Osserva le limitazioni di carico e di velocità suggerite dal produttore del rimorchio.



10. Trasmissione a Cinghia

Periodicamente verifica che la cinghia e il pignone non siano usurati o rovinati. Porta la bicicletta dal tuo rivenditore per cambiare i componenti se sono usurati come mostrato in figura.

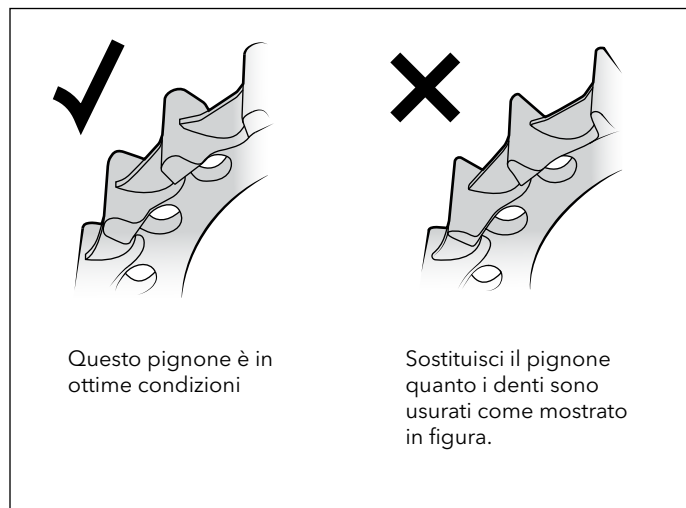
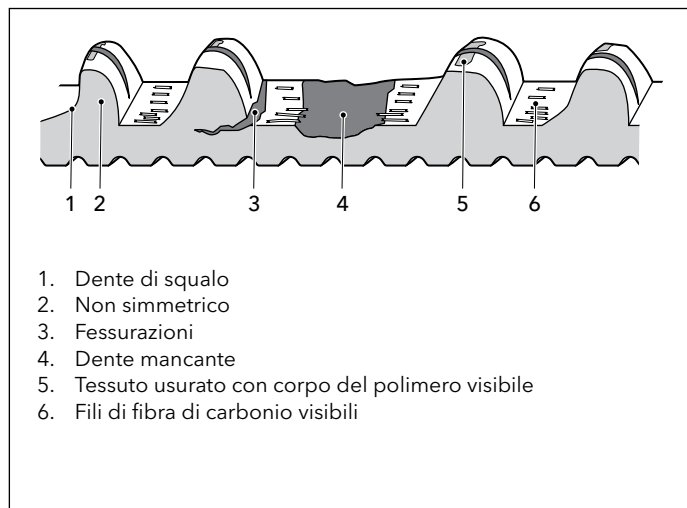
Your HSD comes with Sliding Dropouts that offers 20 mm of adjustment. Once adjusted properly, it's possible to remove and slot back the rear wheel at the perfect tension.

The Positive Tension Screw prevents the Sliding Dropout from moving forward unintentionally.

Visual Inspection

Periodically inspect the belt and sprocket for wear and tear. Take it to your dealer for a replacement if parts are worn as shown below.

Fonte: documenti Gates technology

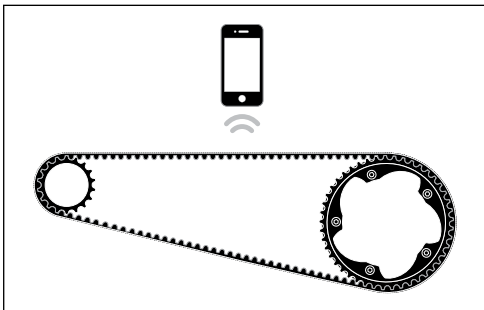


Verificare la Tensione della Cinghia

La tensione della cinghia deve essere corretta per un utilizzo ottimale. Una tensione insufficiente può portare ad un salto dei denti o ad uno scivolamento della cinghia sul pignone. Troppa tensione può causare danneggiamenti ai cuscinetti del mozzo posteriore, può causare il sistema di avere effetti di trascinamento e usurare prematuramente la trasmissione.

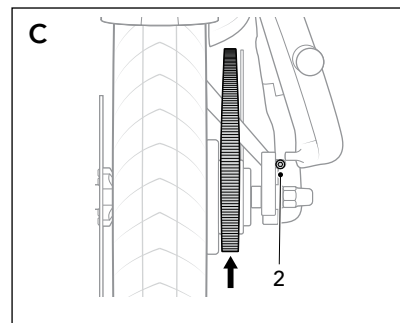
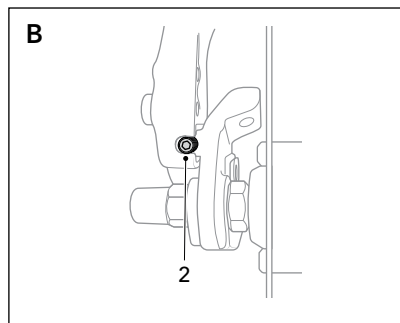
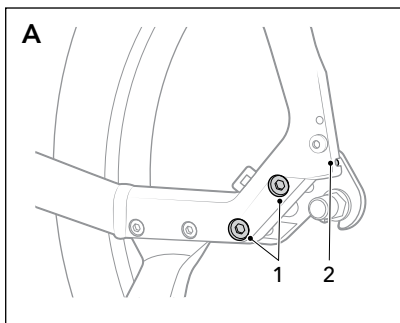
A meno che tu non abbia lo speciale strumento di misura, il modo migliore per determinare se la tensione è corretta è utilizzare l'applicazione Gates Carbon Drive disponibile per iPhone e Android. L'applicazione misura la tensione della cinghia dalla frequenza della cinghia convertendo il rumore vibrazionale nell'armonica principale della cinghia.

- Dall'applicazione Carbon drive, clicca Frequency e poi scegli l'icona Measure. 



- Tieni il tuo telefono vicino alla cinghia
- Pizzicca la cinghia per farla vibrare come la corda di una chitarra. Ruota la pedivella di un quarto di giro e ripeti la misurazione. Completa un giro completo della cinghia.
- Prendi una media di queste misurazioni. Variazioni di lettura intorno ai 15Hz sono accettabili.
- Per la tua HSD, la media delle misure dovrebbe avere un valore compreso tra 35 e 50Hz.

Procedura per Regolare la Tensione della Cinghia



 **Attrezzi richiesti: Chiave a Brugola M3 ed M6**

Passi:

A. Allenta ma non rimuovere i Dadi dei Forcellini.

B. Regolazione della Tensione

- Per incrementare la tensione, gira la Vite di Registro (2) in senso orario per aumentare la lunghezza del carro del posteriore. Fai lo stesso sull'altro lato in modo che i forcellini mantengano l'allineamento.
- Per diminuire la tensione, gira la Vite di Registro (2) in senso antiorario per ridurre la lunghezza del carro posteriore. Fai lo stesso sull'altro lato in modo che i forcellini siano allineati. Spingi in avanti la ruota fino a che la Vite di Registro tocca contro il telaio.

C. Verifica che la cinghia sia allineata e la ruota centrata sul telaio.

D. Stringi i Bulloni dei Forcellini con una coppia di serraggio di 25Nm.

IT

 **Se non sei uso a occuparti di meccanica porta la biciletta dal tuo dealer per far regolare la tensione della cinghia.**

 **Per ulteriori aspetti circa la manutenzione, la cura e le precauzioni d'uso consulta il Manuale Fornito da Gates.**

11. Enviolo AUTOMATiQ

Per i modelli equipaggiati con il mozzo Enviolo Stepless Automatic, i controlli sono integrati con l'unità di controllo Bosch Intuvia. Questo elimina la necessità di installare dei selettori sul manubrio.

Cambiare Velocità

Cambio Automatico

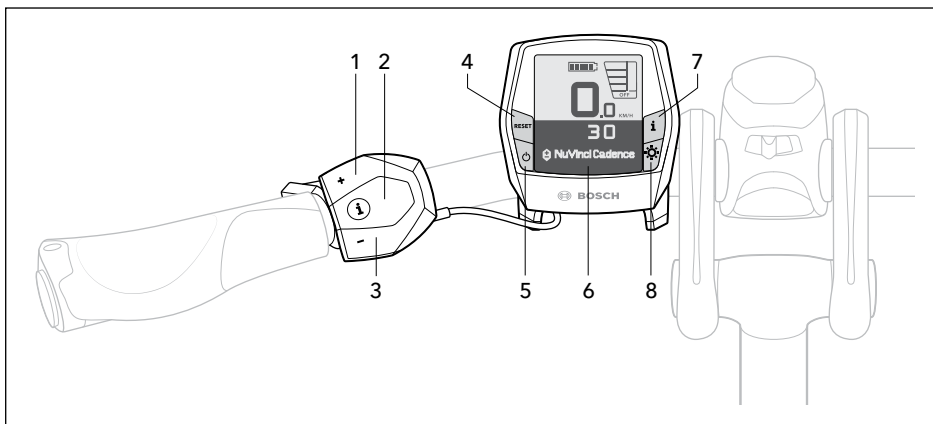
Premi il bottone informativo (2) o (7) fino a che il display mostra "NuVinci Cadence". Premi +(1) o -(3) per scegliere la tua cadenza di pedalata preferita. La trasmissione è automaticamente controllata così puoi sempre pedalare alla stessa frequenza indipendentemente dalla strada.

Cambio Manuale

Premi il bottone informazioni (2) o (7) fino a che il Display (6) mostra "NuVinci Gear". Premi +(1) o -(3) per scegliere la tua velocità preferita.

Assistenza del Motore

Premi information (2) o (7) fino a che il Display (6) non mostra "NuVinci Cadence o NuVinci Gear". Premi +(1) o -(3) per definire il livello di assistenza prescelto.



App Enviolo

- Configurare e aggiornare il firmware può essere fatto usando l'applicazione Enviolo via Bluetooth. Visita l'pp store per iPhone o Android per fare il download dell'applicazione via telefono.
- Dopo aver collegato via Bluetooth il sistema, ti verrà chiesto di fare un upgrade o un aggiornamento del firmware (se disponibile).
- Segui le istruzioni che compaiono sullo schermo per fare l'upgrade del firmware.

Pulizia

- Your Enviolo components are sealed and well protected from the external environment. However, do not use water under pressure (such as pressure washers or water jets) for cleaning to prevent malfunctions due to water penetration.
- During the winter season, you should frequently clean your bicycle, so that winter road salt cannot cause any damage.
- Do not use aggressive cleaners.

Lubrication

- Il sistema Enviolo è sigillato e ben protetto dall'ambiente esterno. Tuttavia, non usare acqua in pressione (come idropulitrici) per pulire la bicicletta al fine di evitare infiltrazioni d'acqua.
- Durante la stagione invernale, dovresti lavare frequentemente la bicicletta in modo che il sale depositato sulle strade non danneggi alcun componente.
- Non usare pulitori aggressivi.

Lubrificazione

- Il mozzo Enviolo ha una lubrificazione permanente e il mozzo interno non richiede manutenzione per tutta la vita del mozzo.
- Il meccanismo interno della ruota libera può essere mantenuto.

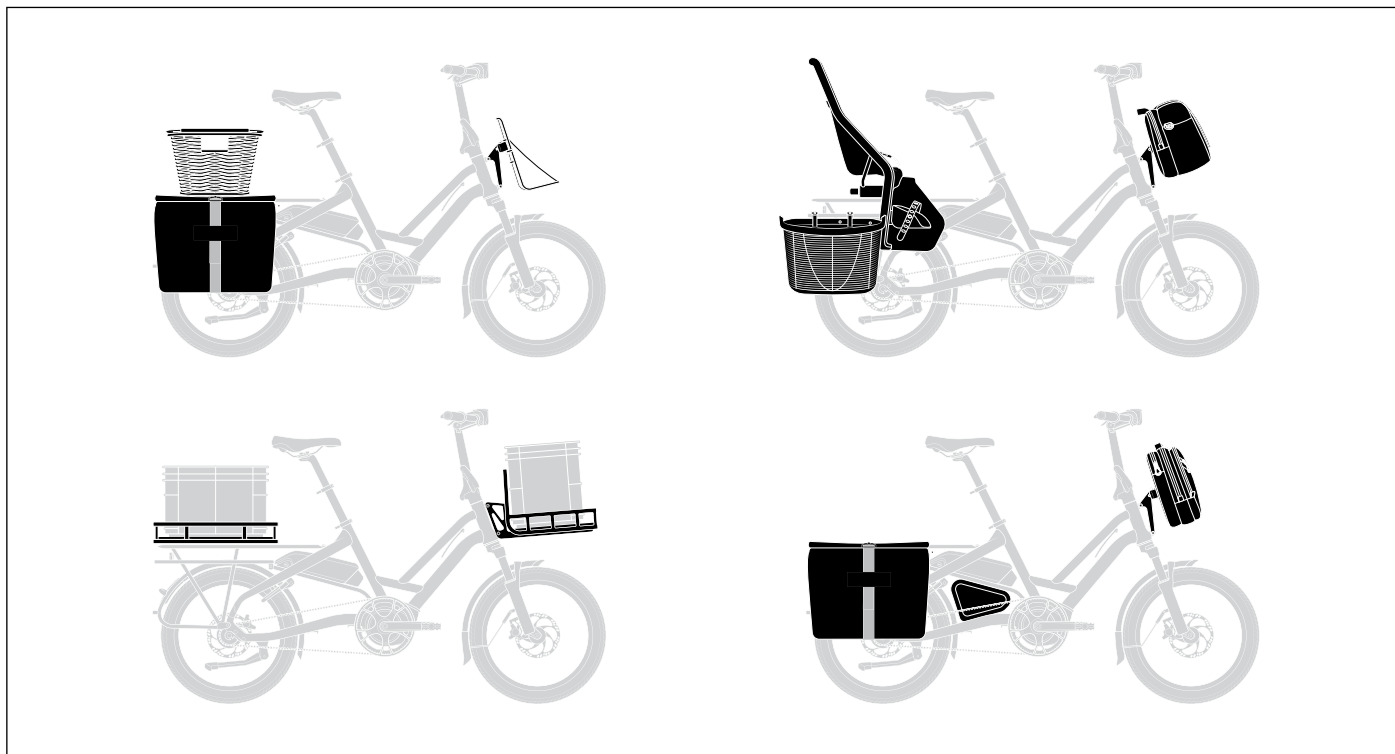
Ricovero

- Non utilizzare i componenti Enviolo con temperature inferiori ai -20°C o superiori ai 48°C.

12. Accessori per la HSD

Una gamma completa di accessori è disponibile per la HSD.

Visita il sito ternbicycles.com/hsd per sapere di più sugli ultimi accessori per la HSD.



Inhalt

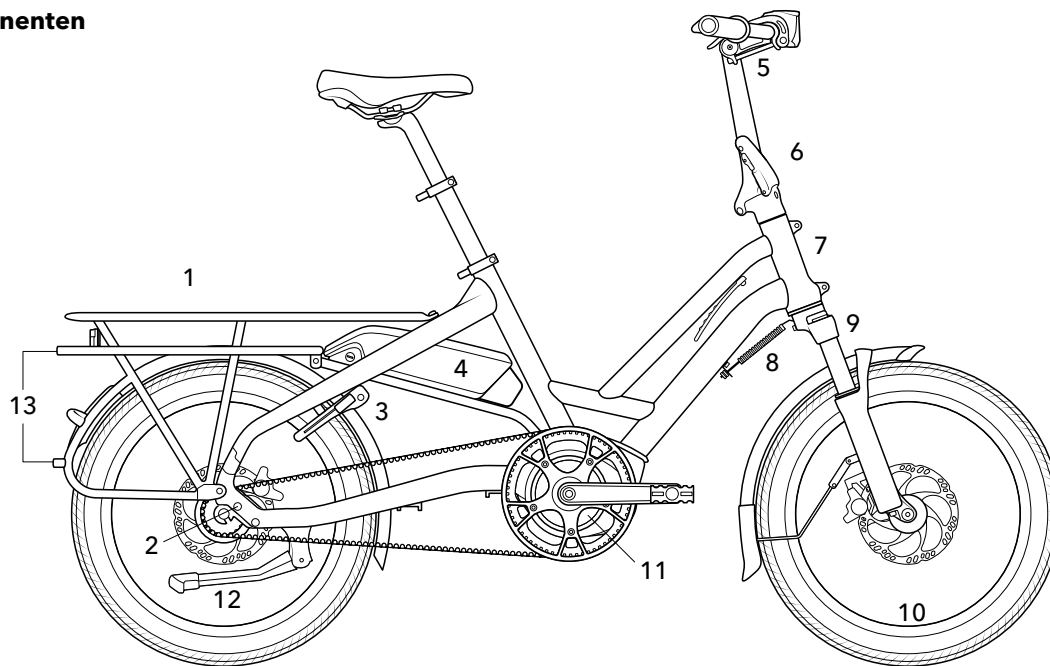
1. Generelle Informationen	99	Speed Lock-Einstellung	112
Bedeutung der Symbole	100	Reifenfreiheit	112
Verwendungszweck	100	Ausbau der Laufräder	113
2. Gewicht und Zuladung	101	8. Gefederte Sattelstütze	114
HSD Einschränkungen	101	Auswahl der Elastomere	114
Ständer Gewichtslimite	102	9. Anhänger Montage	115
HSD Befestigungspunkte-Limits	102	10. Riemenantriebssystem	116
Empfehlungen für sicheres und entspanntes Fahren	103	Visuelle Kontrolle	116
Bestimmungen zum Mitführen von Passagieren	104	Überprüfung der Riemen ­ spannung	117
Auf- und Absteigen	104	Riemen-Spannungs Vorgehensweise	117
3. falt-Möglichkeit	105	11. Enviolo AUTOMATiQ	119
4. Senkrechter Stand	108	Schalten	119
5. Kindersitz-Montage	110	Enviolo App	120
6. Rahmen- und Batterieschloss	111	Pflege	120
7. Federgabel	112	Schmierung	120
Federhärteeinstellung	112	Lagerung	120
		12. HSD Zubehör	121

1. Generelle Informationen

Herzlichen Glückwunsch zum Kauf des Tern HSD, eines anmutenden, aber kleinen E-Bikes, das einfach zu handhaben und zu teilen ist und eine sehr hohe Ladekapazität bietet. Für die meisten Fahrer ist das HSD genau die richtige Grösse an Fahrrad.

Bezeichnung der Komponenten

1. Atlas H Gepäckträger
2. Atlas H Ausfallenden
3. Rahmschloss
4. Batterie
5. Andros Vorbau
6. Physis Lenkerstütze
7. Combo Mount
8. Radstabilisator
9. Gabel
10. Atlas Laufräder
11. Motor Antrieb
12. Ständer
13. Senkrechtstands-Kontaktpunkte



Bedeutung der Symbole



Gibt an, wie das Fahrrad oder die Komponenten, die besondere Aufmerksamkeit erfordern, verwendet werden.



Schwerwiegende Verletzungen möglich, wenn Anweisungen nicht befolgt werden.



Falsche Handhabungen können zu Beschädigungen führen



Sie müssen über das richtige Werkzeug verfügen, z. B. einen Drehmomentschlüssel für Schraubverbindungen, die ein bestimmtes Drehmoment erfordern. Ein zu hohes oder zu niedriges Drehmoment kann dazu führen, dass Komponenten sich lösen oder brechen und zu schweren Unfällen und Verletzungen führen.



Lebensgefahr, wenn Anweisungen nicht befolgt oder keine vorbeugenden Massnahmen getroffen werden.

Verwendungszweck

Das HSD ist für bis zu zwei Personen ausgelegt, und darf nur auf asphaltierten oder befestigten Schotterstraßen gefahren werden. Es ist nicht für Rennen, Sprünge, Hüpfen, Wheelies, Stunts oder ähnliches gedacht.

 Die Nichtbeachtung der oben beschriebenen Hinweisen zur Verwendung kann zu schweren Verletzungen führen.

Der Hersteller und Händler haften nicht für direkte Schäden oder Folgeschäden, die durch unsachgemässen Gebrauch entstehen.

Die Garantie erlischt, wenn Ihr HSD nicht zweckgebunden verwendet wird. Einzelheiten entnehmen Sie bitte der im Lieferumfang enthaltenen HSD-Garantiekarte.

2. Gewicht und Zuladung

Das Tern HSD ist für das Transportieren von Lasten ausgelegt. Zusätzlich zur Erfüllung der EN 15194-Normen für E-Bikes wurde das HSD weiterführenden Tests unterzogen, um sicherzustellen, dass es bis zu 60 kg Fracht befördern kann. Die hintere Last kann ein Kind in einem zugelassenen Kindersitz oder in Koffern und Körben oder eine Kombination aus beiden sein. Es gelten diese Einschränkungen, und man sollte mit Bedacht die Ladung so anordnen, dass das HSD noch komfortabel und sicher gefahren werden kann.

⚠ Das Gesamtgewicht in beladenem Zustand (ohne Fahrer) sollte an allen Befestigungspunkten 60 kg nicht überschreiten.

HSD Einschränkungen:

- Bei Verwendung einer nicht gefederten Sattelstütze darf das maximale Fahrergewicht 120 kg nicht überschreiten. Wenn Ihr HSD mit einer gefederten Sattelstütze ausgestattet ist, beachten Sie die vom Hersteller angegebenen Grenzwerte.
- Das HSD ist für eine maximale Zuladung von 170 kg (einschliesslich Fahrer, Beifahrer, Zubehör und zusätzlicher Ladung) ausgelegt.
- Die maximale Belastung auf einem Reifen sollte 95 kg nicht überschreiten, wenn er auf den maximal zulässigen Druck von 4,5 bar aufgepumpt ist. Zu hoher oder zu niedriger Druck des Reifens führt zu vorzeitigem Verschleiss. Ca. 65% des Gesamtgewichts sollten sich auf dem Hinterrad befinden.
- Das maximale Gewicht für Passagiere ist auf 60 kg begrenzt.

⚠ Das HSD ist NICHT für das Mitführen großer Passagiere ausgelegt. Angegebene Grenzwerte einhalten und nicht überbelasten.

Fahrergewicht (kg)	50	60	70	80	90	100	110	120
Maximale Zuladung (kg)*	60**	60**	60**	60	50	40	30	20
Fahrergewicht (lb)	110	132	154	176	198	220	243	265
Maximale Zuladung (lb)*	132**	132**	132**	132	109	87	65	43

⚠ Die Werte beziehen sich auf ein durchschnittliches Fahrzeuggewicht von 30 kg, einschliesslich Gepäckträger.


⚠ *Beachten Sie unbedingt die Grenzwerte und Empfehlungen im Abschnitt Gewicht und Belastung. Das Gesamtgewicht wird durch das maximal zulässige Gewicht jedes Reifens und eine Gewichtsverteilung von 60% am Hinterrad begrenzt.

⚠ **Überschreitet 80% des empfohlenen Fahrergewichts, wie auf Seite 103 beschrieben. Beladen Sie nur das, was Sie bequem handhaben können.

Ständer Gewichtslimite:


Sofern nicht anders angegeben, hat der Heckständer eine Tragfähigkeit von 25 kg. Wenn der Ständer ausgeklappt ist, wird das gesamte Gewicht des HSD auf die Räder und den Ständer aufgeteilt. Befolgen Sie diese Faustregeln:

- Der Ständer ist nur für leichte Ladung ausgelegt.
- Der Ständer ist nicht für ein voll beladenes HSD ausgelegt.
- Wenn Sie einen Kind mitführen, halten Sie das HSD fest und helfen Sie ihm, die Belastung durch den Ständer beim Auf- und Absteigen zu verringern.

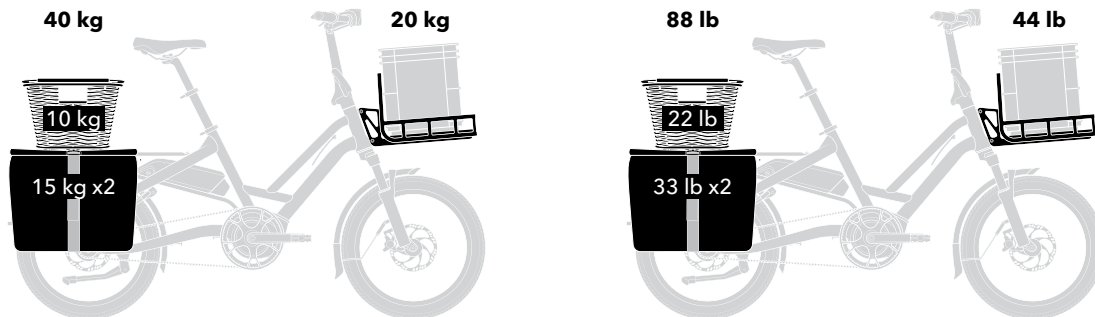
 **Lassen Sie Kinder NIEMALS alleine auf das HSD aufsteigen, auch NICHT wenn der Ständer ausgeklappt ist, es sei denn, ein Erwachsener hält das Fahrrad fest.**

HSD Befestigungspunkte-Limits

- Die maximale Belastung der Combo-Halterung (Steuerrohr) beträgt 20 kg.
- Die maximale Belastung auf einem Paar Fusstützen (falls installiert) beträgt 25 kg auf jeder Seite.
- Die maximale Belastung für die Gepäckträgeroberseite beträgt 50 kg.
- Die maximale Belastung an den Seitestreben des Gepäckträgers beträgt 20 kg. Halten Sie das Gewicht für optimale Stabilität zwischen der linken und rechten Seite im Gleichgewicht.
- Möglicherweise liegt die Zuladungsgrenze für einzelne Zubehörteile unter der Grenze des Montageortes. Die maximalen Belastungsgrenzen entnehmen Sie bitte der Bedienungsanleitung, die dem Zubehör beiliegt.

 **Die oben angegebenen Belastungsgrenzen beziehen sich auf den jeweiligen Montagebereich. Die Gesamtladung sollte weniger als 60 kg betragen.**

Beispiel für das ordnungsgemässe Laden des HSD



Empfehlungen für sicheres und vergnügliches Fahren

- **Überprüfen Sie Ihre örtlichen Vorschriften:** In einigen Ländern ist das Mitführen von Passagieren auf dem Fahrradheck nicht zulässig. Für andere ist möglicherweise spezielles Zubehör gesetzlich vorgeschrieben.
- **Versichern Sie sich dass Ihr Passagier sich wohlfühlt:** Dies sind die empfohlenen Richtlinien für den Gebrauch. Wie immer müssen Sie sicherstellen, ob Ihr Passagier stark genug und aufmerksam genug ist, um als Passagier auf diesem Fahrrad transportiert zu werden.
- **Handling:** Die meisten Fahrer können bequem 80% ihres Gewichts mitführen. Stellen Sie sicher, dass Sie mit der Zuladung noch bequem und sicher fahren können.
- **Üben, üben, üben:** Grösse und Stärke des Fahrers beeinflussen, wie leicht ein beladenes Fahrrad gehandhabt werden kann. Üben Sie immer in einem öffentlichen, autofreien Bereich, bevor Sie einen Passagier mitführen.
- **Strassenrad:** Das HSD sollte nur auf asphaltierten Strassen oder befestigten und instand gehaltenen Schotterwegen verwendet werden.
- **Ladung:** Platzieren Sie sie so niedrig wie möglich und befestigen Sie sie am HSD. Gegenstände, die nicht sicher befestigt sind, können das Fahrverhalten beeinträchtigen und Sie und andere auf der Strasse gefährden.
- **Achtung:** Fahren Sie NIEMALS Freihändig. NIEMALS während dem Fahren ein Handheld-Gerät wie ein Mobiltelefon bedienen.

Bestimmungen zum Mitführen von Passagieren


Vergewissern Sie sich, dass das HSD mit der richtig installierten Ausrüstung ausgestattet ist und sicher befestigt ist, um einen Fondpassagier sicher mit zu führen:

- **Bestimmungsgemässe Verwendung:** Der einzige Ort, an dem ein Passagier befördert werden kann, sollte der Gepäckträger sein. Kein anderer Ort ist erlaubt.
- **Richtiges Sitzen:** Verwenden Sie für Kinder unter 6 Jahren immer einen zugelassenen Kindersitz. Der Thule Yepp Maxi- und Nexxt-Kindersitz wurden für die Verwendung mit dem Tern HSD getestet und zugelassen. Installieren Sie für ältere Kinder und Erwachsene unter 60 kg * ein Sitzkissen zum Schutz vor Stössen.
- **Ein paar Fussstützen:** Die Füsse des Fondpassagiers müssen während der Fahrt flach auf den Fussstützen aufliegen. Die Fussstützen ist ausschliesslich für das Mitführen von Passagieren ausgelegt, wenn sie SITZT. Das Aufstehen ist unsicher und kann den Rahmen dauerhaft beschädigen.
- **Haltegriffe:** Stellen Sie sicher, dass die Passagiere während der Fahrt sich sicher halten können. Wenn das HSD in Bewegung ist, müssen Passagiere, die sich nicht in einem Kindersitz befinden, sich an fixierten Einrichtungen wie die Sidekick™ - Lenker festhalten.
- **Fuss- und Beinschutz:** Montieren Sie auf beiden Seiten des Fahrrads Radschützer oder Cargo Hold 37-Packtaschen flach zusammengefaltet .
- **Tragen Sie einen Helm:** Alle Passagiere sollten geprüfte Helme tragen.
- **Überprüfen Sie die Passagiere auf baumelnde Gurte und locker sitzende Kleidung:** Stellen Sie sicher, dass Röcke, Hosen, Schnürsenkel usw. verstaut oder festgebunden sind, um ein Einklemmen während der Fahrt zu vermeiden.

⚠ * Trotz des stabilen HSD-Rahmens und -Gepäckträgers, dürfen sie keinen Passagier mit mehr als 60 kg befördern.

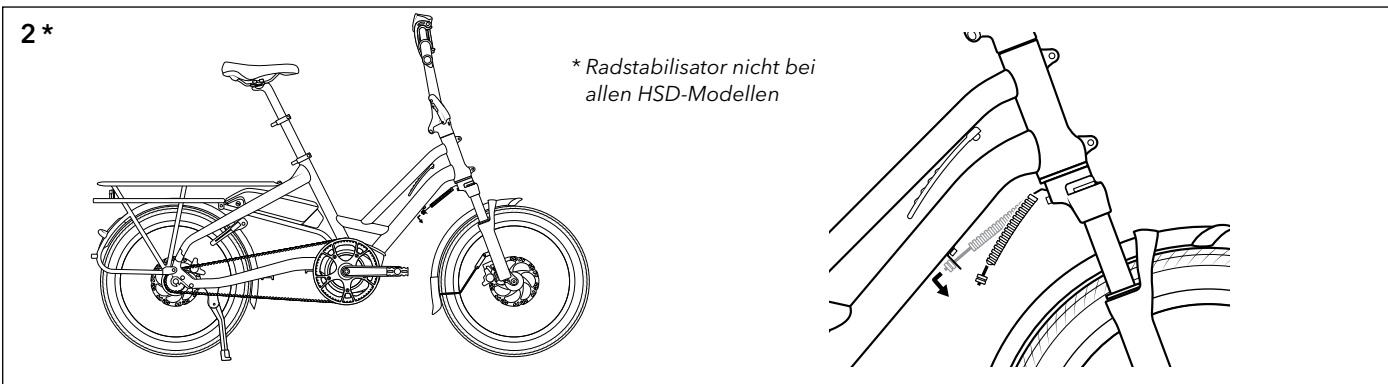
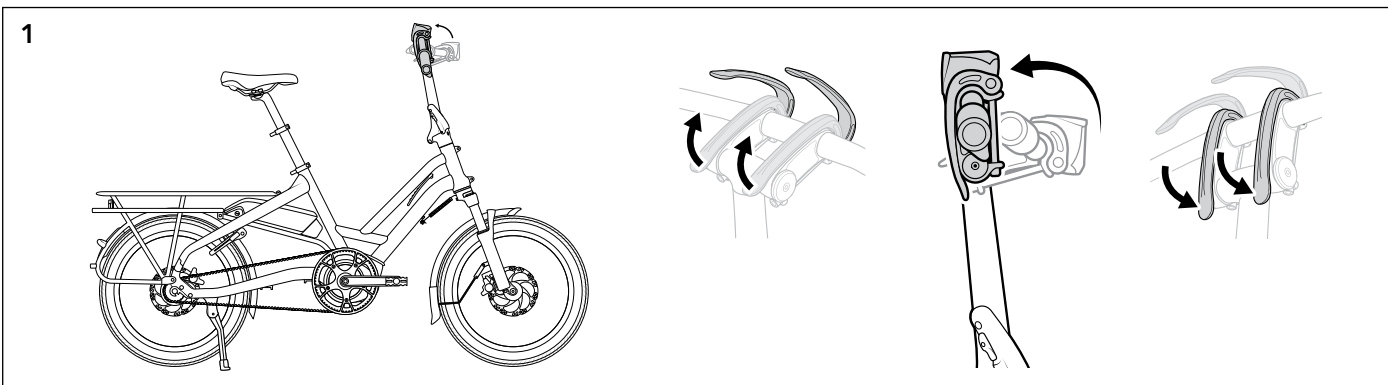
Auf- und Absteigen

- Halten Sie das Fahrrad IMMER fest während ein Kind oder Erwachsener auf den Gepäckträger steigt: Lassen Sie Kinder NIEMALS alleine auf das HSD steigen, es sei denn, ein Erwachsener hält das Fahrrad fest.
- Schnallen Sie Ihr Kind nur an, wenn das HSD auf dem Ständer steht. Während der Ständer das Fahrrad stabil hält, können Sie Kinder mit zwei Händen sicher in einen Kindersitz schnallen.

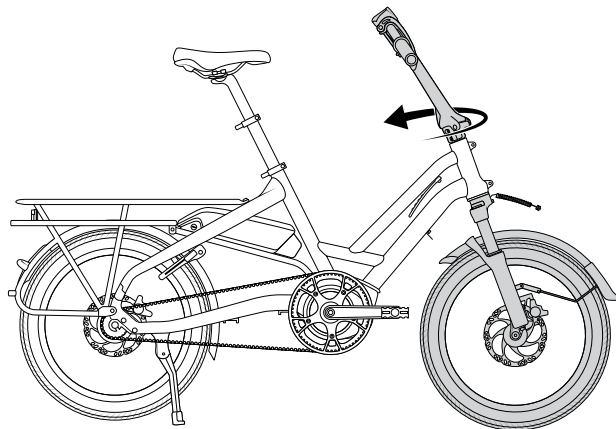
 **Lassen Sie Kinder nicht unbeaufsichtigt auf dem Heck des HSDs zurück: Lassen Sie Kinder NIEMALS unbeaufsichtigt auf dem HSD zurück, auch wenn das HSD auf dem Ständer steht. Kinder, die unruhig sitzen, können das Fahrrad aus dem Gleichgewicht bringen und ein Sturz kann zu schweren Verletzungen führen.**

3. falt-Möglichkeit

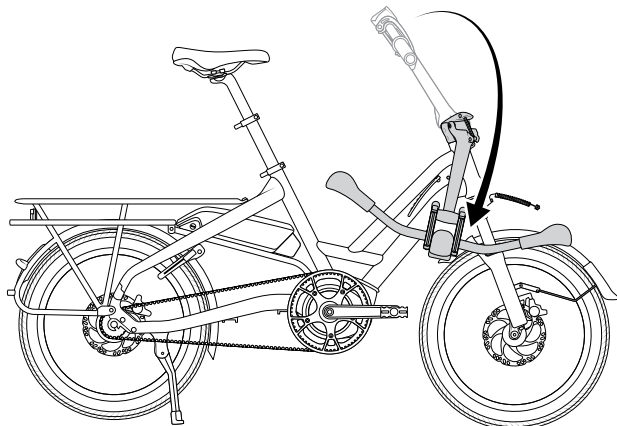
Das Tern HSD kann flach gefaltet werden, um seine Höhe zu reduzieren. Gehen Sie dazu folgendermassen vor:



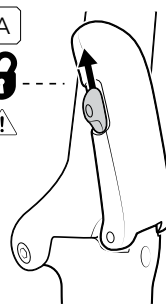
3



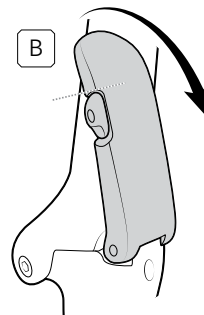
4



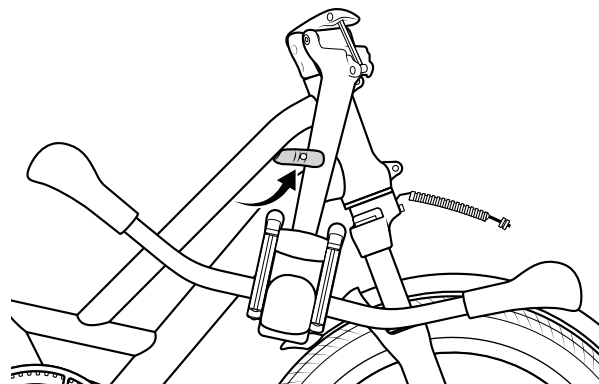
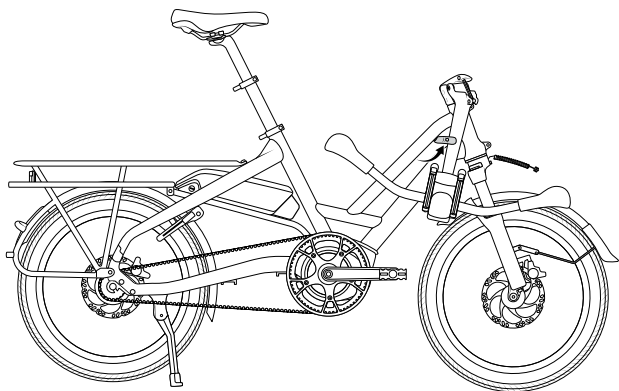
A



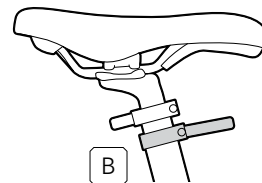
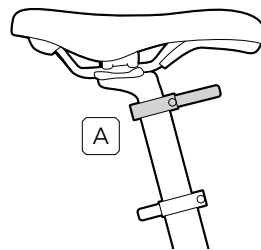
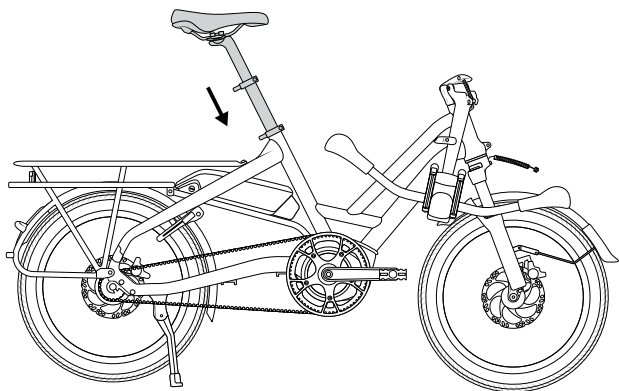
B



5



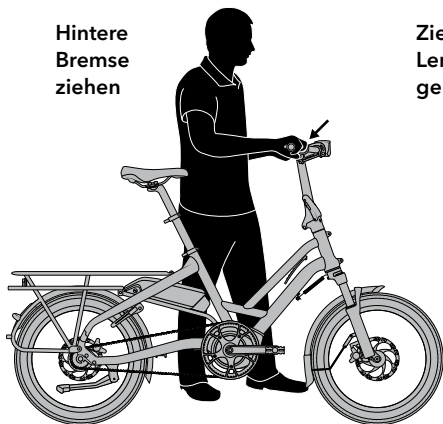
6



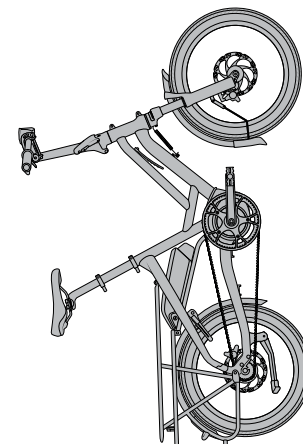
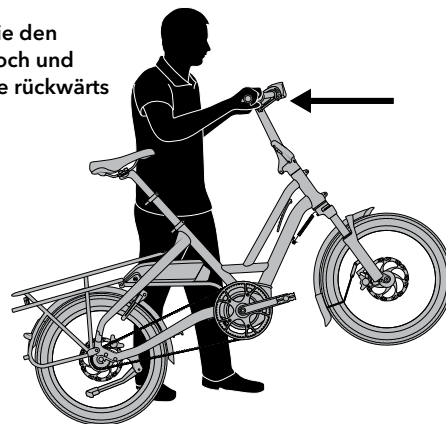
4. Senkrechter Stand


Das Tern HSD ist so konstruiert, dass er auf vier Kontaktpunkten am Gepäckträger stehen kann. In dieser Konfiguration nimmt das Fahrrad eine kleine Stellfläche ein, was in engen Räumen, wie z. B. in einem Aufzug oder in einem Lagerraum, sehr nützlich sein kann.

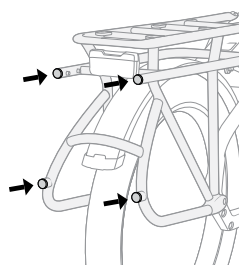
Hintere
Bremsen
ziehen



Ziehen Sie den
Lenker hoch und
gehen Sie rückwärts

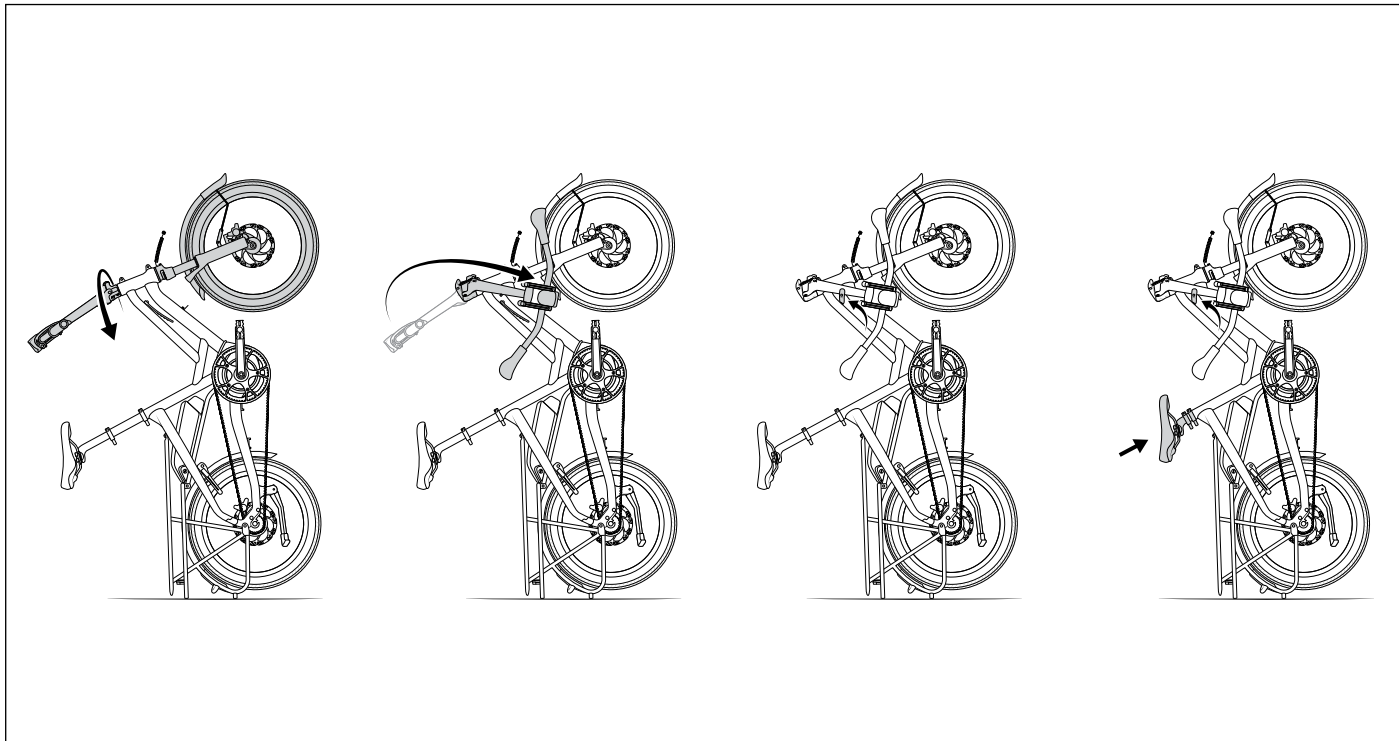


 **!** Stellen Sie sicher, dass alle 4 Kontaktpunkte den Boden berühren



! Halten Sie das Tern HSD immer in der Öffentlichkeit, um zu vermeiden, dass das Fahrrad plötzlich umkippt.

! Befestigen Sie das Tern HSD, wenn es unbeaufsichtigt senkrecht stehen gelassen wird.

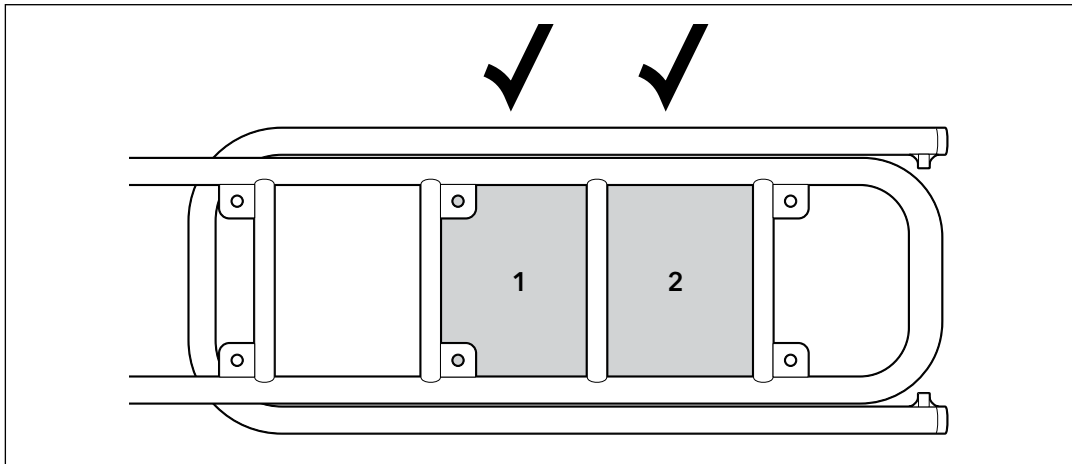


5. Kindersitz-Montage


Der HSD-Gepäckträger ist für die Montage eines einzigen zugelassenen Kindersitzes wie z.B. Thule Yepp Maxi und Thule Yepp Nexxt Maxi ausgelegt.

Montieren Sie den Kindersitz in der Regel so weit nach vorne wie möglich. Stellen Sie sicher, dass die Ferse des Fahrers beim Treten nicht auf den Kindersitz trifft.

Die bevorzugte Position für den Yepp Maxi-Kindersitz ist das Fenster 1 im Rack. Bei einer Fersenberührung verwenden Sie Fenster 2. Der Nexxt Maxi-Kindersitz kann in der Längsrichtung von Fenster 1 und 2 so weit wie möglich nach vorne montiert werden.



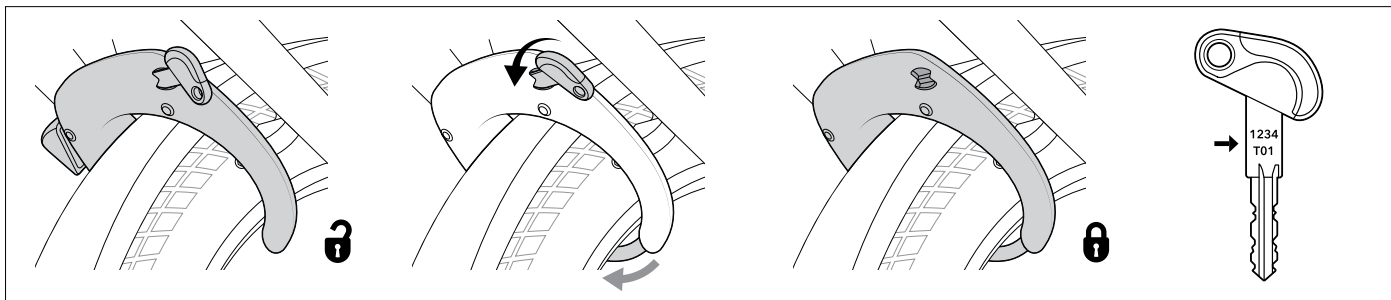
 Befolgen Sie die Bedienungsanleitung des Kindersitzherstellers.

DE  Beschleunigen Sie nicht zu stark, besonders wenn Sie steile Strassen hinauffahren, um zu vermeiden, dass das Vorderrad den Bodenkontakt verliert.

6. Rahmen- und Batterieschloss

Wenn Ihr Modell mit einem Rahmenschloss ausgestattet ist, lesen Sie diesen Abschnitt.

- ⓘ Ein Rahmenschloss schützt zwar vor unbefugtem Gebrauch des Fahrrads, trotzdem empfehlen wir ein zweites Schloss, z.B. Kabelschloss um ein Geländer.
- ⓘ Wenn das Schloss nicht geschlossen ist, kann der Schlüssel nicht aus dem Rahmenschloss gezogen werden.



Der gleiche Schlüssel funktioniert sowohl für das Rahmenschloss als auch für die Akkuverriegelung. Der Schlüsselcode ist normalerweise auf einer Karte, die ursprünglich mit dem Schloss geliefert wurde, und auf dem Schlüssel selbst angegeben.

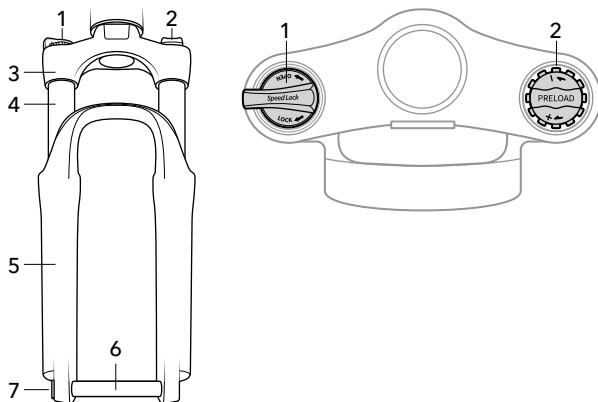
Notieren Sie sich die Schlüsselnummer und / oder bewahren Sie die Schlüsselcodekarte an einem sicheren Ort auf, falls Sie einen Ersatz beim Schlosshersteller bestellen müssen. Möglicherweise können Sie Ihre Schlösser nicht mehr öffnen, wenn diese Informationen fehlen. Bestimmte Schlosshersteller gestatten die Online-Registrierung Ihrer Schlösser, um einen besseren Austauschservice zu gewährleisten.

Falls Sie Ihren Schlüssel und Schlüsselcode nicht abrufen können, können Sie Ihr HSD zum Bosch-Händler vor Ort bringen, um den Schlüsselcode von der Bosch-Steuerung abzurufen. Beachten Sie, dass diese Informationen möglicherweise nicht immer verfügbar sind.

7. Federgabel

Bezeichnung der Komponenten

- | | |
|--------------------------|-------------------------|
| 1. Speed Lock Hebel | 5. Tauchrohre |
| 2. Federhärteeinstellrad | 6. Steckachse |
| 3. Krone | 7. Steckachsen Endkappe |
| 4. Standrohre | |



Wenn Ihr HSD mit einer Federgabel ausgestattet ist, stehen zwei Einstellungen zur Verfügung.

Federhärteeinstellung

- Das Fahrwerk kann durch das Federhärteeinstellrad (2) auf das Gewicht und den bevorzugten Fahrstil des Fahrers abgestimmt werden.
- Mit diesem Einstellrad wird die Vorspannung der Feder in Abhängigkeit zum Fahrergewicht eingestellt.
- Drehen Sie den Einstellknopf für die Vorspannung (2) im Uhrzeigersinn, um die Federvorspannung zu erhöhen, und drehen Sie ihn gegen den Uhrzeigersinn, um sie zu verringern.

Speed Lock Hebel

- Drehen Sie den Speed Lock-Hebel (1) in Richtung LOCK, um die Federung zu deaktivieren.
- Diese Einstellung empfiehlt sich, wenn Sie auf gepflasterten und/oder guten Strassen fahren oder um die Pedaleffizienz beim Bergauffahren zu verbessern.
- Drehen Sie den Speed Lock-Einstellknopf (1) in Richtung OPEN, um die Federung zu aktivieren.

Reifenfreiheit

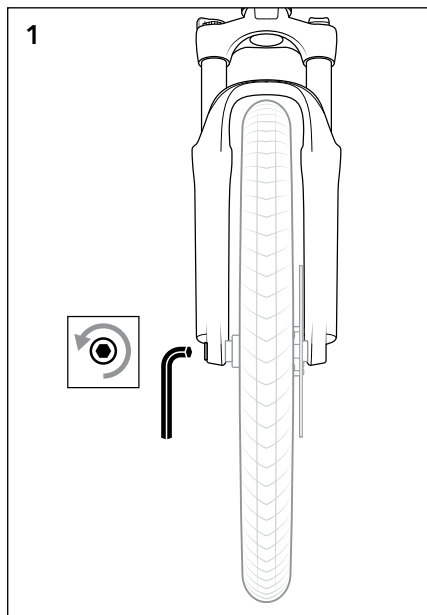
Die Reifen sollte unter keinen Umständen die Gabel berühren.

- ⚠ **Wechseln Sie Ihre Reifen nicht auf eine kleinere oder grössere Dimension. Ein unzureichender Reifenabstand führt zum plötzlichen und unerwarteten Verlust der Kontrolle über das Fahrrad, was zu Verletzungen oder zum Tod führen kann.**

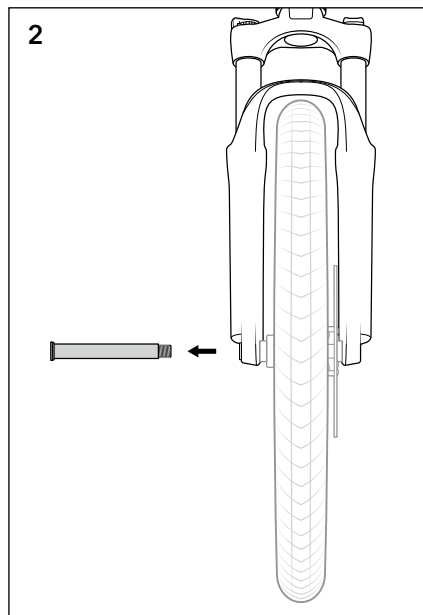
Ausbau der Laufräder

Das Tern HSD ist am Vorderrad mit einer Steckachse ausgestattet. Dieses Design ist viel stabiler als herkömmliche Schnellspanner. Zum Ausbau des Rades muss die Steckachse herausgezogen werden.

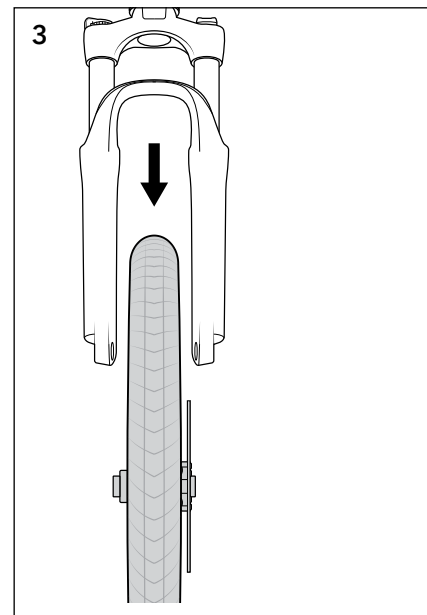
 Erforderliches Werkzeug: Inbusschlüssel M5



1
Lösen Sie die Steckachsen Endkappe (7) auf der Antriebsseite mit einem 5-mm-Inbusschlüssel



2
Mutter entfernen und Achse herausziehen.



3
Rad entfernen

 Drücken Sie nicht den Bremshebel , wenn das Rad ausgebaut ist.

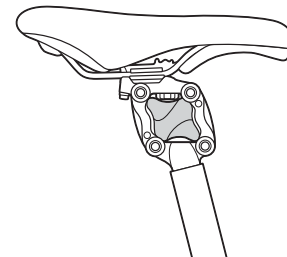
8. Federsattelstütze

Dieser Abschnitt ist für Modelle mit der gefederten Thudbuster ST-Sattelstütze vorgesehen. Der Thudbuster verwendet Elastomere in einem Parallelogrammgehäuse als Federungselement, bei dem sich der Abstand zwischen Sattel und Pedal nie ändert.

Auswahl von Elastomeren

Ein Elastomer besteht aus Naturkautschuk, der sich durch günstige Dämpfungseigenschaften und einen absolut geräuscharmen Betrieb auszeichnet. Um die Härte des Elastomers zu bestimmen, suchen Sie die Nummern auf der kleinen Skala, die an einer Seite eingegossen ist. 1 ist extra weich, 9 ist extra hart und 5 ist mittel. Cane Creek bietet verschiedene Elastomere zum Austausch an. Der Thudbuster muss vor dem Fahren mit einem geeigneten Elastomer eingestellt werden.

Fahrergewicht		Mindestempfehlung für Elastomere
(Kilogramm)	(Pfund)	
Unter 45	Unter 100	Extra Weich - #1
45-64	100-140	Weich - #3
64-86	140-190	Mittel - #5
86-114	190-250	Hart - #7
Über 114	Über 250	Überschreitet das Gewichtslimit der Sattelstütze




⚠ Das maximal zulässige Fahrergewicht beträgt 114 kg. Verwenden Sie niemals ein weicheres Elastomer als für Ihr Gewicht empfohlen.


⚠ Prüfen Sie das Elastomer regelmässig auf übermässigen Verschleiss und ersetzen Sie es gegebenenfalls.

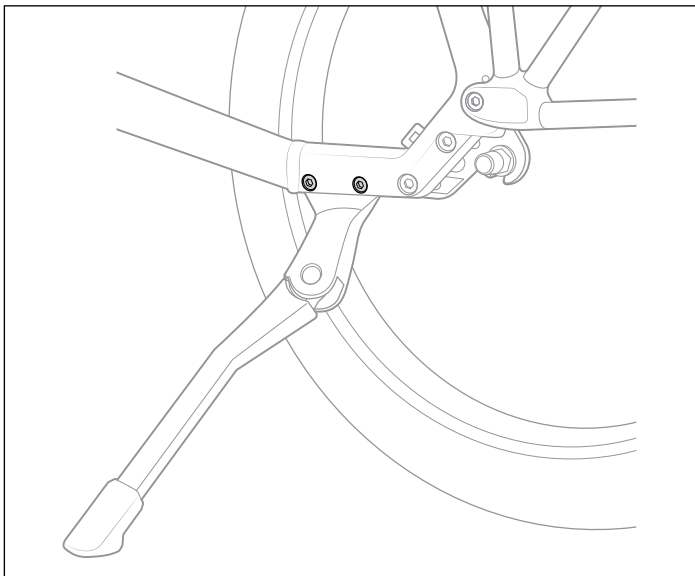
Einzelheiten zum Wechseln des Elastomers, zur Wartung und zu den Vorsichtsmassnahmen finden Sie in den Thudbuster-Anweisungen, die Ihrem HSD beiliegen.

9. Anhängermontage

Die Ständerhalterung an der Kettenstrebe hat einen Schraubenabstand von 40 mm und ist mit Nachrüstsets wie der Weber EH-Kupplung kompatibel.

 Befolgen Sie die Anweisungen in allen mit dem Anhängerkit gelieferten Bedienungsanleitungen.

 Beachten Sie alle vom Hersteller des Anhängerbausatzes angegebenen Belastungs- und Geschwindigkeitsbegrenzungen.



10. Riemenantriebssystem

Dieser Abschnitt gilt für Modelle, die mit dem Gates Carbon Drive-Riemenantriebssystem ausgestattet sind.

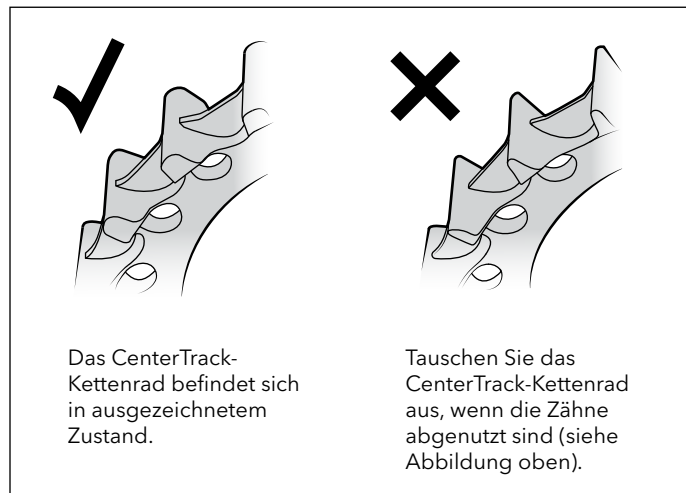
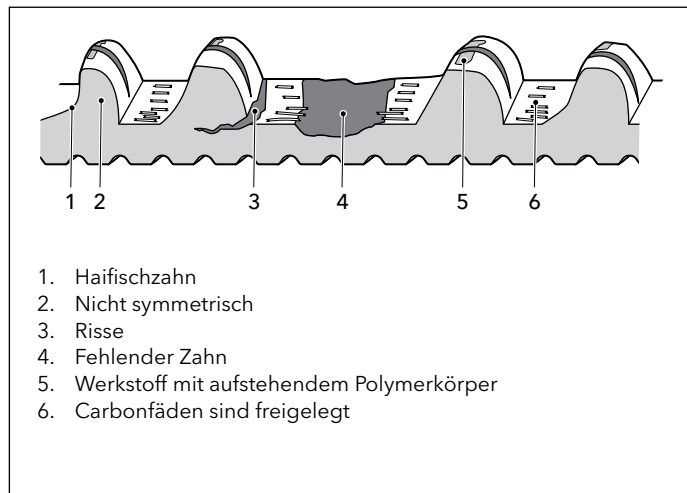
Ihr HSD wird mit verschiebbaren Ausfallenden, die eine Einstellung von 20 mm ermöglichen, geliefert. Wenn sie richtig eingestellt sind, können Sie das Hinterrad mit der perfekten Spannung ausbauen und wieder einbauen.

Die Spannungsfixierschraube verhindert, dass sich das verstellbare Ausfallende unbeabsichtigt bewegt.

Visuelle Kontrolle

Überprüfen Sie den Riemen und das Kettenrad regelmässig auf Verschleiss. Bringen Sie es zum Austausch zu Ihrem Händler, wenn Teile wie unten gezeigt abgenutzt sind.

Bildquelle: Gates-Technologiedokumente

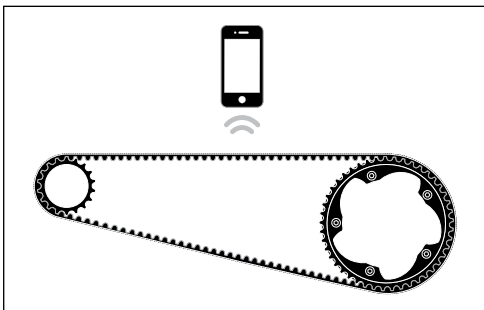


Riemenspannung prüfen

Die richtige Riemenspannung ist für einen optimalen Betrieb unerlässlich. Eine zu geringe Riemenspannung kann zu Zahnsprüngen oder zum „Überspringen“ führen, wenn die Zähne des Riemens über die Zähne des hinteren Kettenrads rutschen. Zu viel Spannung kann die Lager in der Hinterradnabe beschädigen, das System erhöhter Reibung aussetzen und Ihr Antriebssystem vorzeitig verschleissen.

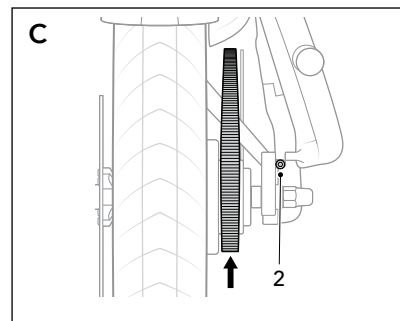
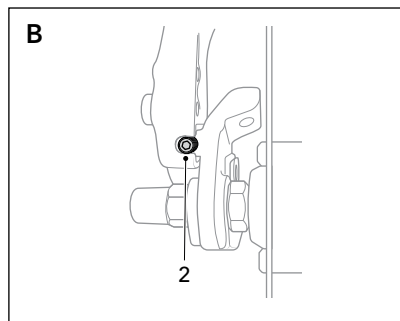
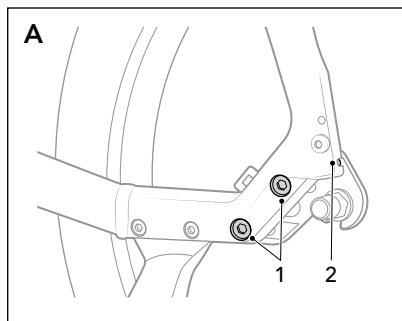
Sofern Sie kein spezielles Spannungsmessgerät haben, können Sie am besten die Gates Carbon Drive Mobile App verwenden, die für Android und iPhone verfügbar ist. Die App misst die Riemenspannung anhand der Eigenfrequenz (Hz) des Riemens, indem der Vibrationsschall in die Primärfrequenz des Riemens umgewandelt wird.


- Klicken Sie in der Carbon Drive App auf die Registerkarte Frequency und dann auf das Symbol Messen.



- Halten Sie ihr Smartphone nahe am Riemen.
- Zupfen Sie den Riemen so, dass er wie eine Gitarrensaiten vibriert. Drehen Sie die Kurbel um eine Vierteldrehung und wiederholen Sie die Frequenzmessung. Führen Sie eine volle Umdrehung des Riemens durch.
- Nehmen Sie den Durchschnitt dieser Messwerte. Eine Abweichung von etwa 15 Hz pro Messwert ist in der Toleranz
- Für Ihr HSD sollte die durchschnittliche Messung 35-50 Hz betragen.


Verfahren zur Einstellung der Riemenspannung



 **Benötigtes Werkzeug: M3 und M6 Inbusschlüssel**

Schritte:

- A. Lösen Sie die (1) Ausfallendenschrauben, aber entfernen Sie sie nicht.
- B. Spannungseinstellung
 - Um die Spannung zu erhöhen, drehen Sie die Spanschraube (2) im Uhrzeigersinn, um den Kettenstrebenabstand zu verlängern. Nehmen Sie die gleiche Einstellung an der anderen Spanschraube vor, damit beide Ausfallenden symmetrisch ausgerichtet bleiben.
 - Zum Verringern der Spannung die Spanschraube (2) gegen den Uhrzeigersinn drehen, um den Kettenstrebenabstand zu verringern. Nehmen Sie die gleiche Einstellung an der anderen Spanschraube vor, damit beide Ausfallenden symmetrisch ausgerichtet bleiben. Schieben Sie das Hinterrad nach vorne, bis die Spanschraube am Rahmen anliegt.
- C. Überprüfen Sie, ob der Riemen ausgerichtet und das Rad mittig im Rahmen ist.
- D. Die Schrauben der Ausfallenden (1) mit einem Drehmoment von 25 Nm festziehen.

 **Wenn Sie keine mechanische Kenntnisse haben, lassen Sie die Spannung von Ihrem Händler einstellen.**

 **Weitere Informationen zur Pflege, Fehlerbehebung und Vorsichtsmaßnahmen finden Sie in der Bedienungsanleitung von Gates.**

11. Enviolo AUTOMATiQ

Bei Modellen mit der stufenlosen Enviolo-Nabe sind die Bedienelemente in die Bosch Intuvia-Steuereinheit integriert. Dadurch ist kein zusätzlicher Schalthebel am Lenker erforderlich.

Verschiebung

Automatisches Schalten

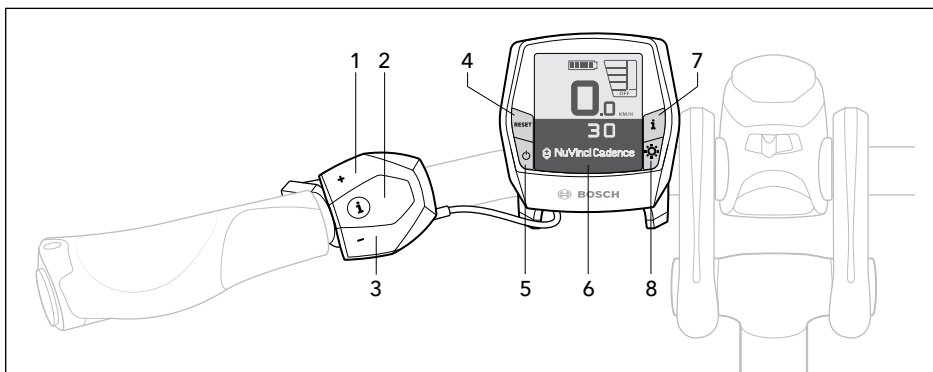
Drücken Sie die Informationstaste (2) oder (7), bis das Display (6) „NuVinci Cadence“ anzeigt. Drücken Sie + (1) oder - (3), um Ihre bevorzugte Trittfrequenz einzustellen. Das Getriebe wird automatisch so gesteuert, dass Sie unabhängig vom Gelände immer mit der gleichen Trittfrequenz treten können.

Manuelle Schaltung

Halten Sie die Informationstaste (2) oder (7) gedrückt, bis das Display (6) „NuVinci Gear“ anzeigt. Drücken Sie + (1) oder - (3), um Ihren bevorzugten Gang einzustellen.

Motor Assistance Level

Drücken Sie die Informationstaste (2) oder (7), bis auf dem Display (6) NICHT „NuVinci Cadence“ oder „NuVinci Gear“ angezeigt wird. Drücken Sie + (1) oder - (3), um Ihre bevorzugte Unterstützungsstufe festzulegen.



Enviolo App

- Die Konfiguration und Aktualisierung der Firmware kann mit der Enviolo-App über eine Bluetooth-Verbindung erfolgen. Wählen Sie auf Ihrem Smartphone den iPhone AppStore oder Android Play Store, um die App für Ihr Smartphone herunterzuladen.
- Nach erfolgreicher Bluetooth-Kopplung werden Sie aufgefordert, ein Upgrade durchzuführen, wenn eine aktualisierte Firmware-Version vorhanden ist.
- Befolgen Sie die Anweisungen auf dem Bildschirm, um die Firmware zu aktualisieren.

Reinigung

- Ihre Enviolo-Komponenten sind abgedichtet und gut vor äusseren Einflüssen geschützt. Verwenden Sie zur Reinigung jedoch kein Wasser mit hohem Druck (z. B. Hochdruckreiniger), um Funktionsstörungen durch eindringendes Wasser zu vermeiden.
- Während der Wintersaison sollten Sie Ihr Fahrrad öfters und regelmässig reinigen, damit das Streusalz im Winter keine Korrosionsschäden anrichtet.
- Verwenden Sie keine aggressiven Reinigungsmittel.

Schmierung

- Die Enviolo-Innenmechanik ist permanent geschmiert und ist für die gesamte Lebensdauer des Produkts wartungsfrei.
- Der interne Freilaufmechanismus kann gewartet werden.

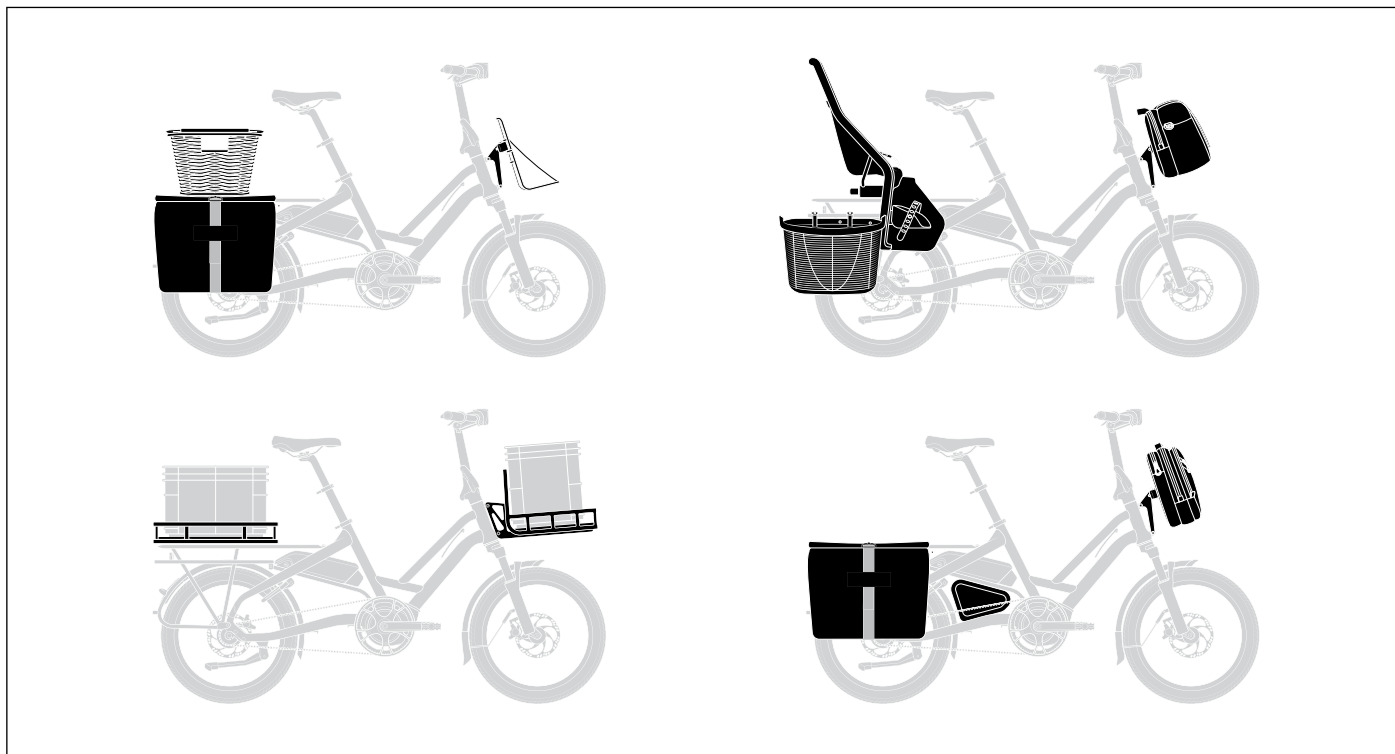
Aufbewahrung

- Bewahren Sie Ihre Enviolo-Komponenten nicht bei Umgebungstemperaturen unter -20°C oder über 48°C auf.

12. HSD Zubehör

Für das HSD ist eine Vielfalt von spezifischen Zubehör erhältlich.

Besuchen Sie ternbicycles.com/hsd, um mehr über das neueste HSD-Zubehör zu erfahren.





Tern Bicycles

ternbicycles.com

* Tern, the Tern Werd (logotype), and the Tern Berd (device), used alone or in combination are trade names, trade devices or registered trademarks of Mobility Holdings, Ltd.

© 2011- 2019 Mobility Holdings, Ltd., all rights reserved.